

Webasto UK Product Catalogue

Valid from January 2015



General Notes

All deliveries made by us shall be governed exclusively by Webasto Thermo & Comfort UK Ltd - Conditions of Sale of Goods and Provision of Services (copy provided at the end of this document).

This catalogue supersedes and renders invalid any previous editions and is subject to change without prior notice.

In the interests of continued development, specifications may change from time to time without prior notice. E & OE.

This catalogue is for information only and prices are available from your nearest Webasto Dealer. Full contact details of our dealers is available via our online Dealer Locator at: www.webasto.co.uk

Important notes pertaining to heaters install in vehicles for the transport of dangerous goods

When installing the heaters in vehicles for the transport of dangerous goods, the requirements laid down in ADR 2005 (Technical Guidelines relating to the ordinance of transporting hazardous goods on the road) must be fulfilled in addition to those of the StVZO (Regulations authorising the use of vehicles for road traffic).

The heaters Air Top 2000 ST, Air Top Evo 40, Air Top Evo 55 and Thermo Pro 90 which are named in the price list are in compliance with the requirements mentioned above, providing the ADR specific notes contained in the installation instructions are observed during installation.

In type EX/II and EX/111 vehicles, the heaters may only be installed for heating the driver's cab or the engine.

Please note that vehicle heater kits are only approved for vehicle applications. Webasto Thermo & Comfort UK will not honour any liability caused by fitment of a vehicle heater kit in any non-road vehicle application.

Important note pertaining to heater installations on marine craft

Government regulations that may vary in different regions may exist concerning the mode, installation and design of heaters designed for installation on boats.

Compliance with such regulations is checked and verified by various authorities. Please familiarise yourself with which regulations may apply in the region where you wish to operate your vessel so that you can take these regulations into account when selecting the heater and planning its installation. For the installation and/or routing of fuel lines inside engine compartments, only components meeting the requirements of EN ISO 7840 may be used.

Please also note that when installing into the engine compartment of the vessel, all respective fuel supply components must be fireproof, according to EN ISO 7840.

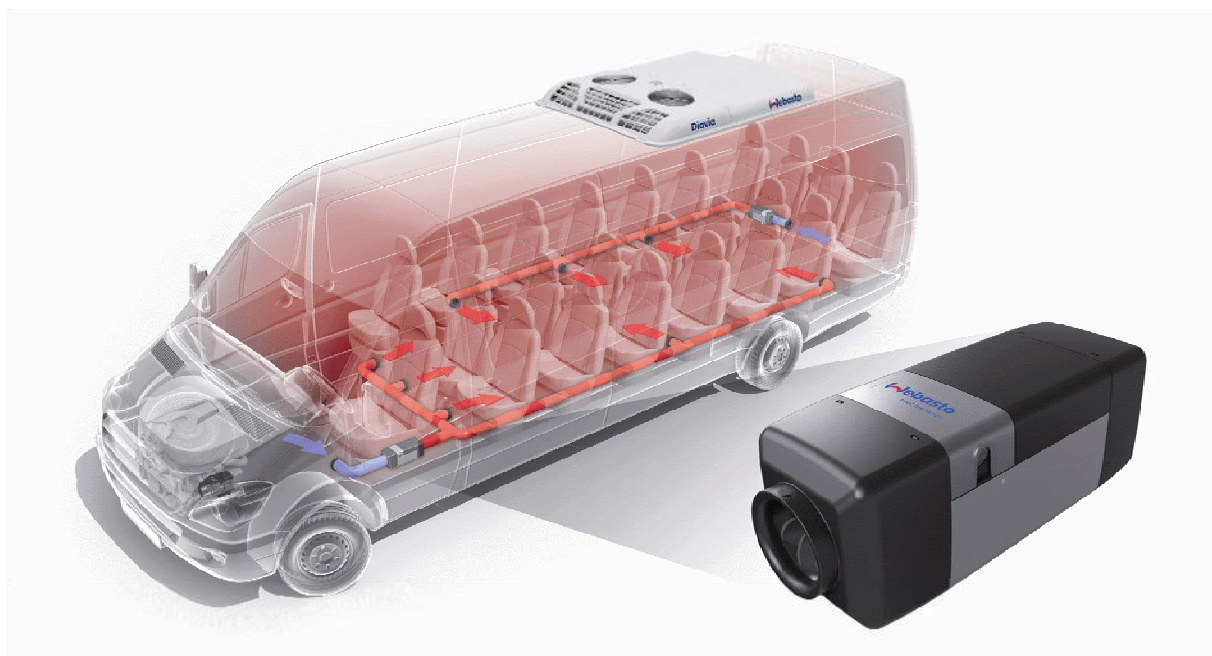
Contents

		Page No
Heaters & Accessories		
<i>Air Heaters</i>		
Air Top 2000 ST	Heater Kits	8-9
	Operating Controls	10
	Combustion Air & Exhaust	10
	Fuel System	10
	Mounting	11
	Ducting System	11
	Air Top 2000S Spare Parts	12
	Air Top 2000 ST Spare Parts	13
Air Top EVO 40	Heater Kits	14-15
Air Top EVO 55	Heater Kits	16-17
	Operating Controls	18
	Combustion Air & Exhaust	18
	Mounting	19
	Fuel System	19
	Ducting System	20
	Air Top 3500 / 5000 Spare Parts	21
	Air Top 3500 / 5000 ST Spare Parts	22
	Air Top Evo 3900 / 5500 Spare Parts	23
	Air Top Evo 40 / 55 Spare Parts	24
	Modular Air Heating System	25
<i>Water Heaters</i>		
Thermo Top Range	Heater Kits	26-34
	Operating Controls	35
	Combustion Air & Exhaust	35
	Mounting	35
	Fuel System	36
	Water System	37
	Thermo Top Spare Parts (inc TT Evo)	38
Thermo Pro 50 Eco	Heater Kit	39
	Operating Controls	40
	Combustion Air & Exhaust	40
	Fuel System	40
	Water System	41
	Mounting	41
	Thermo Pro 50 Eco /Thermo 50 Spare Parts	42
Thermo Pro 90	Heater Kits	43
	Operating Controls	44
	Combustion Air & Exhaust	44
	Fuel System	44
	Water System	45
	Mounting	45
	Thermo 90S Spare Parts	46
	Thermo 90 ST Spare Parts	47
	Thermo Pro 90 Spare Parts	48

Contents

	Page No
Heaters & Accessories (Ctd)	
DBW 2010/2016 Heaters	49-50
Operating Controls	51
Combustion Air & Exhaust	51
Fuel System	51
Water System	52
DBW2010 Spare Parts	53-55
Thermo230/300/350 Heaters	56-57
Operating Controls	58
Combustion Air & Exhaust	58
Fuel System	58
Water System	58
Thermo 230/300/350 Spare Parts	59-60
Dual Top Heaters & accessories	61
Spare Parts	62
<i>Water Pumps</i>	
U4810	63
U4846	63
U4847	64
U4814	64
U4854	65
U4856	65
Vehicle Parking Cooler Cool Top Vario 10 E	66
Vehicle Climate Controller	67
Vehicle Air Conditioning	68
Vehicle Transport Refrigeration	69
Marine Air Conditioning	70
Marine Roofs	71
Marine Engineering	72
Marine & R.V. Refrigerator/Freezers	73
Accessories	74
<i>Thermo Call</i>	75
<i>SmartController & MultiController</i>	76
<i>Marine Programmable 7 Day Timer</i>	77
<i>Diesel Cooker & Accessories</i>	78-79
Diesel Cooker Spare Parts	80-81
<i>Blower Boxes</i>	
Florida 5 ; Silencio 2 ; Hercules ED4	82
Madera 4 & Madera 8	83
Madera 4/8 Accessories	83
<i>Thermoduct</i>	84
<i>Mechanical Roof Ventilator</i>	85
<i>Mini RV Water Heater</i>	86
<i>Diesel/Electric RV Water Heater</i>	87
<i>R.V. Calorifiers</i>	88
<i>Vehicle Roof Hatches</i>	89
<i>Extractor Fans</i>	90
<i>Marine Fuel Filter</i>	91
Webasto Thermo & Comfort UK Limited – Conditions of Sale of Goods and Provision of Services	92-93

Vehicle Air Heaters



- Performance from 2 up to 9kW (Modular system up to 11KW)
- Variable application for interior cabin heating
- Low consumption of fuel and power
- User friendly operating controls
- Stepless heating regulator and silent operation



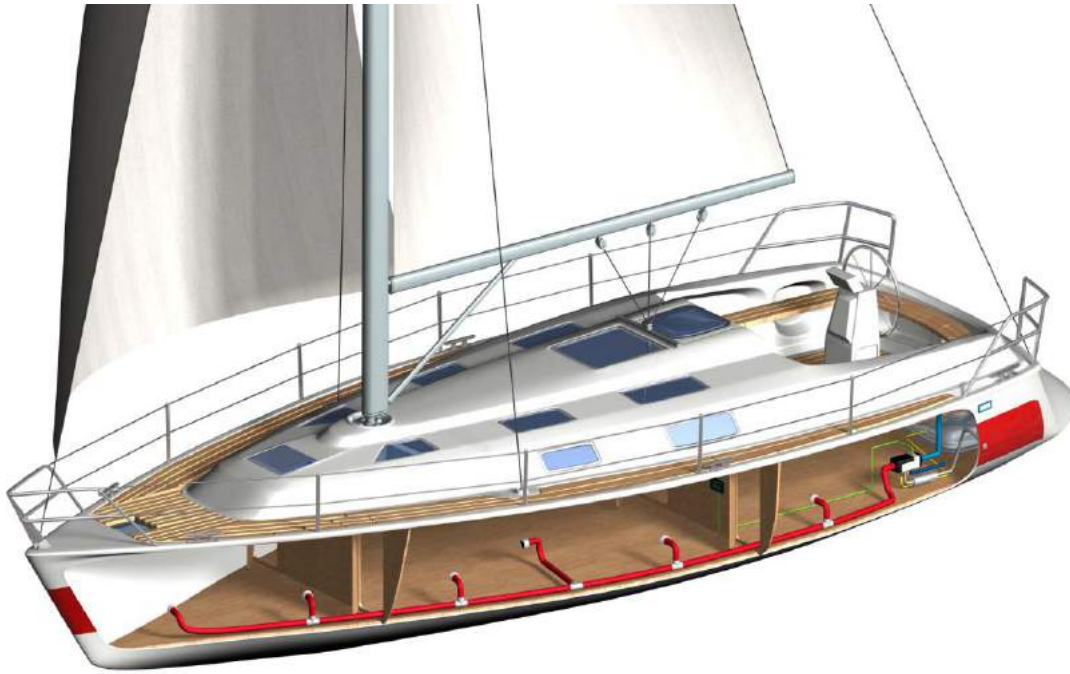
Air Top 2000 ST



Air Top Evo 40 / Air Top Evo 55

Please note that vehicle heater kits are only approved for vehicle applications. Webasto Thermo & Comfort UK will not honour any liability caused by fitment of a vehicle heater kit in any non-road vehicle application.

Marine Air Heaters



- *Performance from 2 up to 5.5kW*
- *Variable application for interior cabin heating*
- *Low consumption of fuel and power*
- *User friendly operating controls*
- *Stepless heating regulator and silent operation*

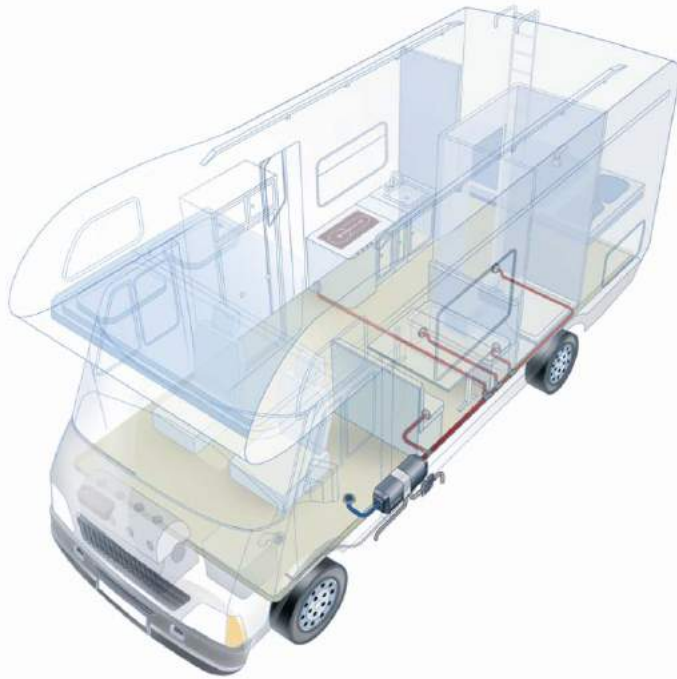


Air Top 2000 ST



Air Top Evo 40 / Air Top Evo 55

Motorhome Air Heaters



The Webasto range of R.V. Air Heater Kits contain specific components suited to the installation and operational requirements for the general R.V. aftermarket. Features include : Remote temperature sensors; Choice of internal floor mounting plates/external mounting options; Exhaust silencer; Wide range of ducting/outlet accessories



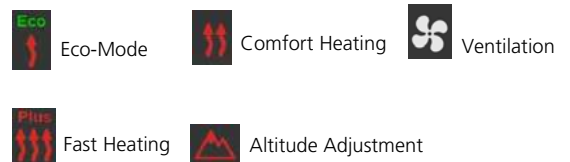
Air Top 2000 ST

- Available in 12v (24v on request)
- Choice of rotary control or digital combi timer
- Suitable for most panel van conversions or use as an additional independent heater for larger coachbuilt vehicles
- **Petrol** version available on request



Air Top Evo 40 / Air Top Evo 55 MC05RV Range

The Air Top Evo **M**ulti **C**omfort (MC) is a design of control panel for the Air Top Evo 40 / Air Top Evo 55 R.V. heaters. Functions: switch on/off; pre-selection of operational mode; temperature and fan regulation. For the first time, five functions are controllable with only one appliance.



- Available in 12v
- Air Top Evo 40 is suitable for up to 7.0m coachbuilt vehicles. Can also be used to replace existing gas heater systems and utilise the remaining ducting system (Subject to suitability)
- External temperature sensor and zero idle current draw
- Standard kit contains MC05 control panel. Digital timer upgrade kit is available (pricing on request)
- Zero idle function

Air Heating Systems




Air Top 2000 ST 2.0kW Air Heater



Technical Data (tolerance $\pm 10\%$)				
			Diesel	Petrol
EG-Type Approval code			e1*2001/56*0022*_	e1*2001/56*0022*_
Heating Output	Control Range	kW	0.9 – 2.0	1.0 – 2.0
Fuel Consumption	Control Range	l/h	0.12 – 0.24	0.12 – 0.24
Rated Voltage		V	12 / 24	12
Rated Power Consumption	Control Range	W	14 – 29	14 - 29
Heating Air Flow (against 0.5m/bar)	Maximum	m ³ /h	93	93
Fuel Type			Diesel EN 590 / PME DIN EN 14214 / / heating oil EL	Petrol EN 228
Operating temperature range		°C	-40 to + 40	-40 to + 40
Dimensions (LxBxH)		Mm	311 x 120 x 121	311 x 120 x 121
Weight		Kg	2.6	2.6

Vehicle Heater Kits

Please note that vehicle heater kits are only approved for vehicle applications. Webasto Thermo & Comfort UK will not honour any liability caused by fitment of a vehicle heater kit in any non-road vehicle application.

Part No	Description	
4111385A	Diesel Air Top 2000 ST Vehicle Universal kit 12v including rotary control, exhaust & fuel "T" piece (does not include ducting – see 4110888A below)	
4111386A	Diesel Air Top 2000 ST Vehicle Universal kit 24v including rotary control, exhaust & fuel standpipe (does not include ducting – see 4110888A below)	
4110888A	Universal Vehicle Installation & Ducting kit including hardware to form a one outlet system (to be used in conjunction with 4111385A + 4111386A base heater kits above)	
41SK464	Petrol Air Top 2000 ST Universal kit 12v including rotary control, exhaust & 1m ducting to form one outlet system, fuel standpipe	

Air Heating Systems





Air Top 2000 ST 2.0kW Air Heater



Marine Heater Kits

Part No	Description
4111181B	Diesel Air Top 2000 ST Marine Universal kit including rotary control 12v (does not include ducting – see accessories section)
4111182B	Diesel Air Top 2000 ST Marine Universal kit including rotary control 24v (does not include ducting – see accessories section)

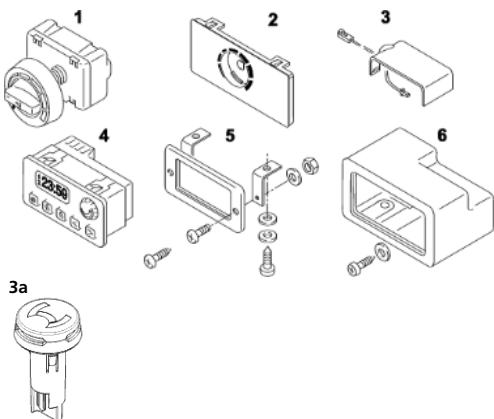
R.V./Motorhome Heater Kits

Description	
<p>Diesel Air Top 2000 ST R.V. Universal kit including rotary control 12v version</p> <p>Base Heater Kit: 41K096C</p> <p>One Outlet Ducting Kit: 41K116C</p> <p>Choice of floor mount plate: Round 41C0193 or Oblong 4145000</p>	
<p>Diesel Air Top 2000 ST R.V. Universal kit including rotary control 12v version</p> <p>Base Heater Kit: 41K096C</p> <p>Choice of floor mount plate: Round 41C0193 or Oblong 4145000</p> <p>Choice of Ducting Kit: Two outlet "Y Branch" Kit : 41K117B or Two Modular outlet kit : 41K118B</p> <p>External Mount Option: R.V. External Mounting Box Part numbers RWA7200, RWA7000, 1320922A and 2 x 466352 required) in place of floor mount plate. Please note that additional ducting will be required for an externally mounted heater installation.</p>	
<p>Diesel Air Top 2000 ST R.V. Universal kit including digital timer 12v version</p> <p>Base Heater Kit: 41K096C</p> <p>One Outlet Ducting Kit: 41K116C</p> <p>Timer Upgrade Kit: 41K031A</p> <p>Choice of floor mount plate: Round 41C0193 or Oblong 4145000</p>	
<p>Diesel Air Top 2000 ST R.V. Universal kit including digital timer 12v version</p> <p>Base Heater Kit: 41K096C</p> <p>Choice of floor mount plate: Round 41C0193 or Oblong 4145000</p> <p>Timer Upgrade Kit: 41K031A</p> <p>Choice of Ducting Kit: Two outlet "Y Branch" Kit : 41K117B or Two Modular outlet kit : 41K118B</p> <p>External Mount Option: R.V. External Mounting Box Part numbers RWA7200, RWA7000, 1320922A and 2 x 466352 required) in place of floor mount plate. Please note that additional ducting will be required for an externally mounted heater installation.</p>	
<p>Dedicated Kit Air Top 2000 ST Diesel 12v RV UK - VW T5 Heater Kit : 4112565C</p>	

Air Heating Systems

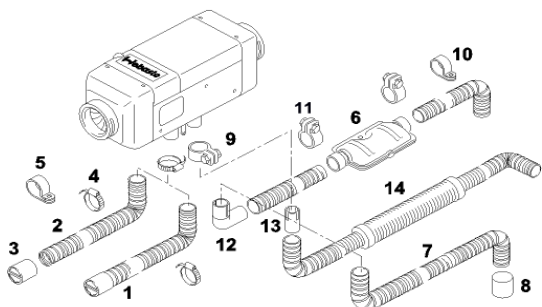
Air Top 2000 Range Air Heaters

Operating Controls



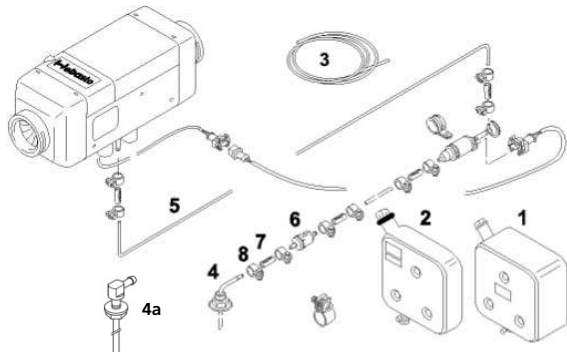
Item No	Description	Part No.
1	Rotary Rheostat Control	1322581A
2	Rheostat Switch Plate	82422B
3	Temperature Sensor & ECU 5m 12v Temperature Sensor & ECU 5m 24v	9005008A 9005010A
3a	Remote Temperature Sensor (AT 2000ST) Button Style Ext. Temp Sensor 2.5m (Leisure) Button Style Ext. Temp Sensor 5m (Leisure)	1319842A 9030881A 9030883A
4	Combi Rheostat/Digital Timer Only 12v	88206B
Not Shown	Combi Timer Upgrade Kit 12v	41K031A
4	Combi Rheostat/Digital Timer Only 24v	88205A
Not Shown	Combi Timer Upgrade Kit 24v	41K061A
5	Digital Timer Mounting Kit	474630
6	Digital Timer Housing	475866
Not Shown	Frost Stat -5 to 15°C	4111263A
Not Shown	Pulse Relay Kit 12v Harness	4111364B
Not Shown	4 Hour Pulse Relay 12v	4111932A
Not Shown	SmartController & MultiController	See Page 76
Not Shown	Marine 7 Day Programmable Timer kit 12v	4110556A
Not Shown	Thermo Call (Operation via smartphone)	TBA

Combustion Air & Exhaust



Item No	Description	Part No.
1	Air Intake Silencer Pipe 22mm	1313514A
2	Combustion Air Hose 22mm	4158308
3	Combustion Air Hose End Cap	1320109A
4	Hose Clip 20-27mm	9015918A
5	P Clip 25mm	405256
6	Exhaust Silencer 22mm	1320895A
7	Exhaust 22mm (S/Steel per m)	337390
8	Exhaust End Cap	318302
9	Exhaust Clamp 22mm	1320103A
10	P Clip 25mm	405256
11	Hose Clamp 26-28mm	1320220A
12	Exhaust Elbow 22mm	1320117A
13	Exhaust Pipe Adaptor 22-24mm	1320382A
14	Exhaust Silencer (Leakproof)	1322001A
Not Shown	Silicone Exhaust Grommet 22mm	4132900
Not Shown	Exhaust Lagging 30mm (per m)	41V0001
Not Shown	S/Steel Cable Ties (for exhaust lagging)	4162441
Not Shown	Exhaust Skin Fitting 24mm (Straight)	1320363A
Not Shown	Exhaust Skin Fitting 24mm (90°)	9018379A

Fuel System

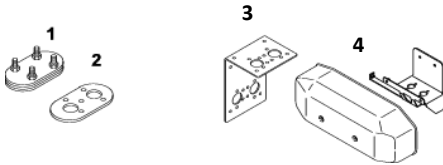


Item No	Description	Part No.
1	Plastic Fuel Tank 24 litres	1322531A
2	Plastic Fuel Tank 12 litres (no fitting kit incl)	9024224B
Not Shown	Fitting kit for 12l fuel tank	9025761A
3	Nylon Fuel Hose 2mm i.d. 5mm od 8m lg	4157900
4	Fuel Tank Standpipe 650mm lg	1320399A
4a	Fuel Tank Standpipe low profile 495mm lg 8.5mm hole	41545017A
5	Nylon Fuel Hose 2mm id 5mm od per m	483931
6	Fuel Filter	1319466A
7	Fuel Pipe Connector (Straight)	484032
8	Fuel Hose Clip 10mm	330027
Not Shown	Fuel Pump Harness 8.5m lg	4110815
Not Shown	Fuel Pipe Connector 90°	1320134A
Not Shown	Fuel Cut Off Kit (Switch Type)	4112369A
Not Shown	Fuel Cut Off Kit (tap type)	4111812A
Not Shown	Fuel T Piece Kit 8mm (Refer to Thermo Top C Accessories section for more T Piece options)	411572
Not Shown	Fuel Filter and stop tap kit	4110766A
Not Shown	Marine fuel hose 5mm ISO7840 (per m)	4158400
Not Shown	Hose clips stainless steel 8-12mm	41S05037A
Not Shown	Marine Fuel Pump Insulation Jacket	41S85022A
Not Shown	Fuel Extractor – Fiat Ducato	RMB7654A

Air Heating Systems

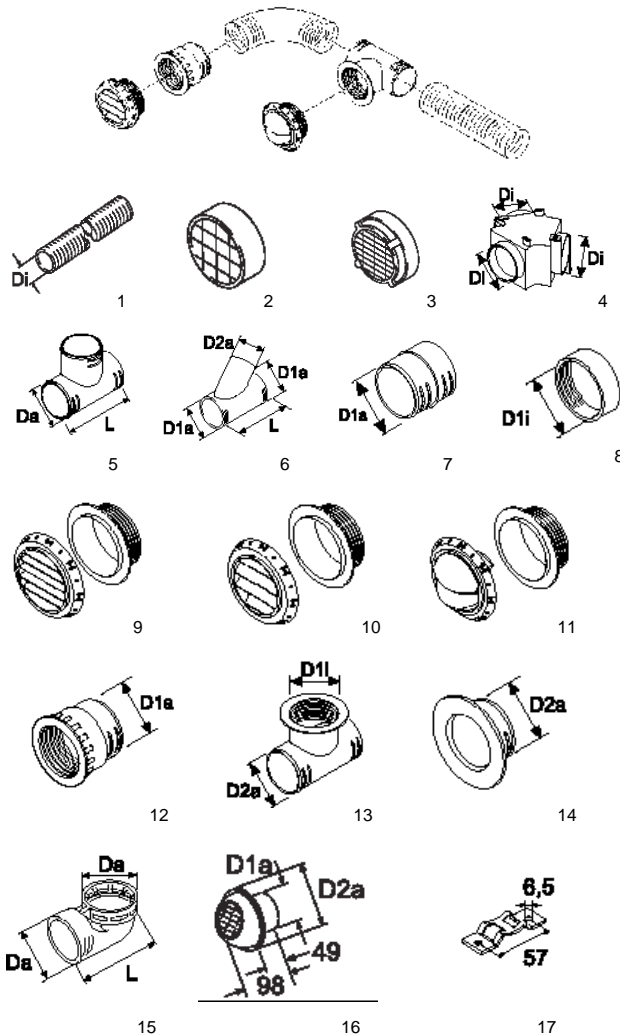
Air Top 2000 Range Air Heaters

Mounting



Item No	Description	Part No.
1	Floor Flattening Tool	82229A
2	Base Mount Gasket	82227A
3	Floor Mounting Plate (angled)	41C0016
4	Plastic Enclosure inc bracket	9005942A
Not Shown	Mounting Box – Top Access	86032A
Not Shown	Floor Mount Plate (flat)	4144969
	Floor Mount Plate (round flange)	41C0193
	Floor Mount Plate (oblong flange)	4145000

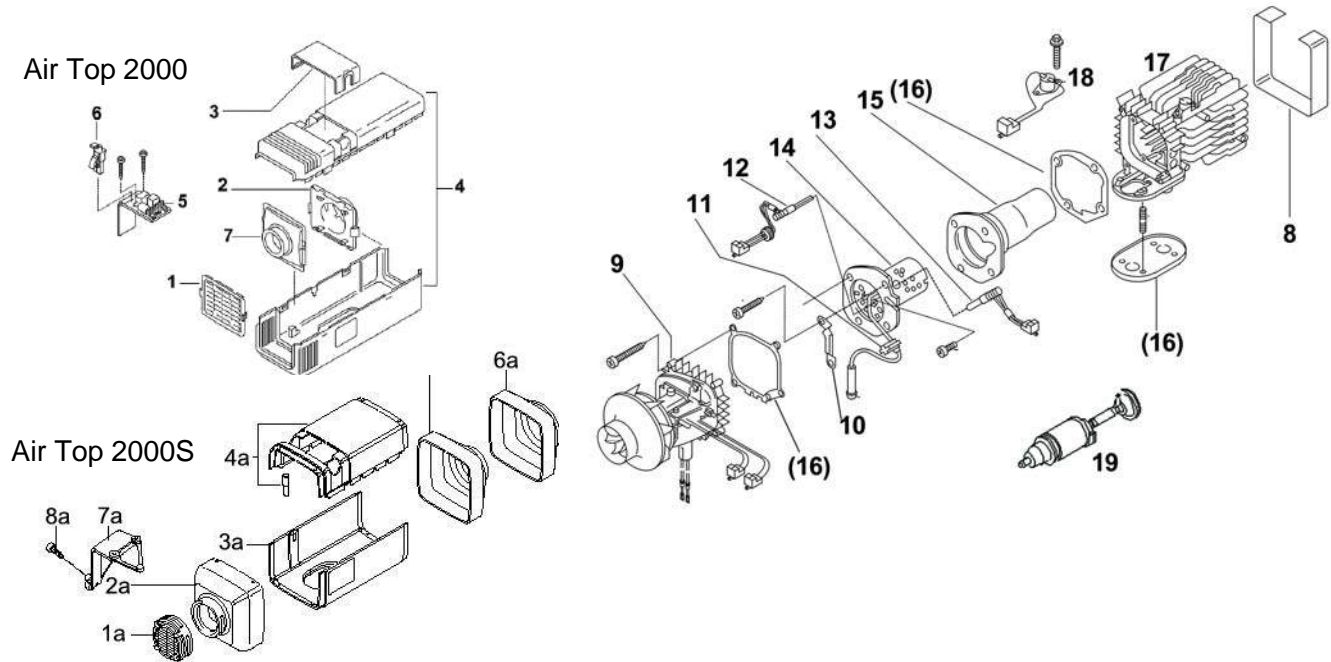
Ducting System



Item No	Description	Part No.
1	Ducting PAK (Di.60mm) - per m	398497
Not Shown	Flexflyte Ducting 60mm (per m)	4151810
Not Shown	60mm Thermoduct—750mm length	41570014A
2	Protective Screen 60mm	84937A
3	Air Inlet Grille 60mm	1320163A
Not Shown	Outlet/Inlet Grille 60mm (metal)	4144914
4	Flap Valve Y Piece (Di. 60mm)	1320352A
Not Shown	Control Switch & Cable for Flap Valve	1319868A
5	T Piece 90° (Da 60mm/L 110) – Black	1320474A
6	Assymetric Y Branch (D1a 60 / D2a 60 / L 145mm) – Black	1320472A
7	Connector Pipe (D1a 60mm) – Black	1320469A
8	End Cap (D1i 60mm)	1320477A
9	Outlet 90° (60mm) - Black	1320934A
	Outlet 90° (60mm) - White	1320935A
	Outlet 90° (60mm) – Grey	1320936A
10	Outlet 45° (60mm) - Black	1320204A
	Outlet 45° (60mm) - White	1320205A
	Outlet 45° (60mm) – Grey	1320933A
11	Outlet Closeable (60mm) - Black	1320206A
	Outlet Closeable (60mm) - White	1320207A
	Outlet Closeable (60mm) – Grey	1320937A
12	Backing Nut (D1a 60mm) – Black	1320922A
13	T Piece with Connector (D1i/D2a 60mm)	1320476A
14	Wall Pipe (60mm) – Black	1320923A
15	90° Elbow (Da 60mm / L 133)	1320124A
16	Outlet 60mm Ball Type 360°	1322405A
Not Shown	Hose Clamp 50-70mm	466352
17	Ducting Support Bracket (MOQ 10 pcs)	1321044A
Not Shown	Backing Nut 60mm (Compact HADS)	RWA8300
Not Shown	Blanking Cap Black 60mm (Compact HADS)	RWA8400
Not Shown	Ducting T 60mm (Compact HADS)	RWA8500
Not Shown	Equal Y Duct Part 60/60/60	1320814A

Air Heating Systems

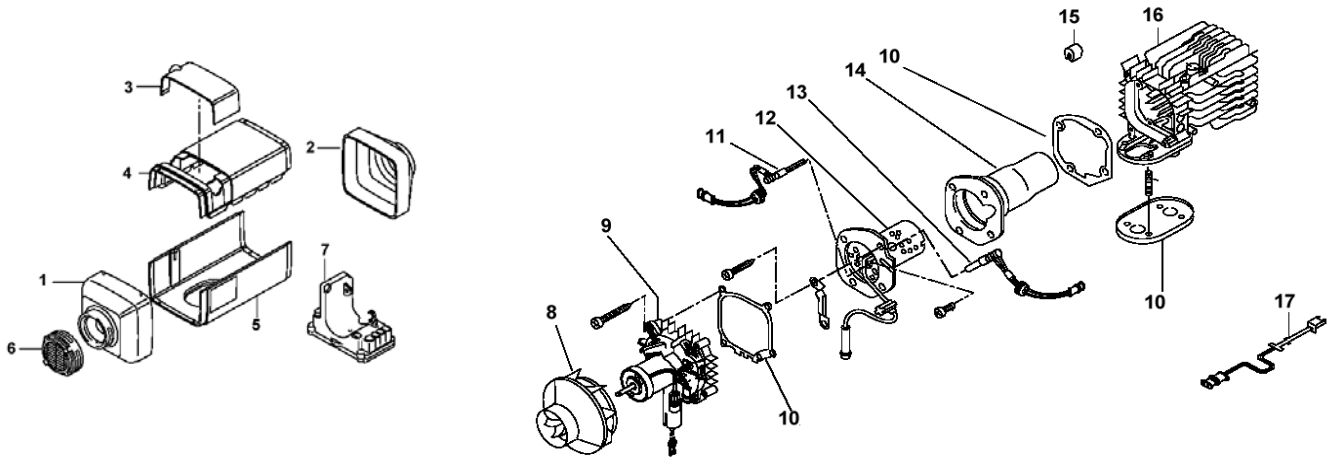
Air Top 2000 S Air Heater Common Replacement Parts



Item No	Description	Part No.
1	Inlet/Outlet Screen (Air Top 2000)	29716B
2	Heating Air Outlet (Air Top 2000)	1320122A
3	Control Unit Cover (Air Top 2000)	1319621A
4	Upper/Lower Plastic Casing (Air Top 2000)	82282A
5	Control Unit 12v Diesel (Air Top 2000) Control Unit 12v Petrol (Air Top 2000) Control Unit 24v Diesel (Air Top 2000)	1323325A 87462B 1322711A
6	Internal Temperature Sensor (Air Top 2000)	88665A
7	Air Inlet Ring (Air Top 2000)	29717C
1a	Air Inlet Grille (Air Top 2000S)	1320163A
2a	Air Inlet Hood (Air Top 2000S)	9020539A
3a	Bottom Casing (Air Top 2000S)	1320343A
4a	Upper Casing (Air Top 2000S)	9001940A
5a	Outlet Hood 60mm (Air Top 2000S)	9019553A
6a	Outlet Hood 75mm (Air Top 2000S)	98503B
7a	Supporting Angle (Air Top 2000S)	1321074A
8a	Supporting Angle Screw (Air Top 2000S)	70921A
8	Sound Deadening Matting	1320133A
9	Drive Assembly 12v Drive Assembly 24v	84841B 70678A
10	Air Guiding Plate	34517B
11	Socket	29845D
12	Flame Detector	1322407A
13	Glowpin 12v Glowpin 24v	1322415A 1322408A
14	Burner Cartridge – Diesel Burner Cartridge—Petrol	65786A 84883A
15	Burner Tube	1322722A
16	Gasket Set	1322638A
17	Heat Exchanger	67062B
18	Overheat Protection	82305C
19	Fuel Pump 12v Diesel Fuel Pump 12v Petrol Fuel Pump 24v Diesel	1322440A 1320292A 1322433A
Not Shown	Wiring Harness (Air Top 2000S Diagnostic)	1319770A
Not Shown	Air Top 2000 / 2000S 12v Service Kit (contains Burner with glowpin & gasket set) – Diesel Only	4111806A
Not Shown	Air Top 2000 / 2000S 24v Service Kit (contains Burner with glowpin & gasket set) – Diesel Only	4111807A

Air Heating Systems

Air Top 2000 ST Air Heater Common Replacement Parts



Item No	Description	Part No.
1	Inlet Hood (from serial no 976400) Inlet Hood	9019552A 9020539A
2	Outlet Hood 60mm diameter Outlet Hood 75mm diameter	9019553A 98503B
3	Control Unit Cover	1319621A
4	Upper Plastic Casing	9019555A
5	Lower Plastic Casing	1320343A
6	Grille	1320163A
7	Control Unit 12v Petrol Control Unit 12v Diesel Control Unit 24v Diesel Control Unit 12v Diesel (Camper/Boat Version)	9013148A 9013146A 9013147A 9013149A
8	Combustion Air Fan	1302774B
9	Drive Assembly 12v (with dosing pump cable from serial no 976400) Drive Assembly 24v (with dosing pump cable from serial no 976400) Drive Assembly 12v (with dosing pump cable up to serial no 976400) Drive Assembly 24v (with dosing pump cable up to serial no 976400)	1302786A 1322696A 1303846A 1303848A
10	Gasket Set	1322586A
11	Flame Detector Petrol only	9005096B
12	Burner Insert Petrol Burner Insert Diesel	84883A 1322585A
13	Glowpin 12v Glowpin 24v	1322420A 1322411A
14	Burner Tube	1322722A
15	Isolator (Pack of 4)	1303326A
16	Heat Exchanger Petrol Heat Exchanger Diesel	9005090A 1302805A
17	Overheat Sensor	1322850A
Not Shown	Fuel Pump 12v Diesel Fuel Pump 12v Petrol Fuel Pump 24v Diesel	1322440A 1320292A 1322433A
Not Shown	Basic Wiring Harness	1320459A
Not Shown	Air Top 2000 ST 12v Service Kit (contains Burner with glowpin & gasket set) – Diesel Only Air Top 2000 ST 24v Service Kit (contains Burner with glowpin & gasket set) – Diesel Only	4111814A 4111815A

Note : AIR TOP 2000 ST DAIMLER CHRYSLER VERSION Please note that some Daimler Chrysler vehicles are factory fitted with a special edition Air Top 2000 ST unit. Specialised spare parts for these heaters include the burner, drive assembly, air fan and wiring harnesses. Pricing for these particular components are available upon request from the Sales Office. However, please note that Webasto Thermo & Comfort UK are unable to supply the Control Unit as this is only available via Daimler Chrysler.

Air Heating Systems

Air Top Evo 40 4.0kW Air Heater






Technical Data (tolerance $\pm 10\%$)

			Diesel	Petrol
EG-Type Approval code	EMC Heater		E1 03 5529 E1 00 0385	E1 03 5529 E1 00 0385
Heating Output	Control Range / Boost*	kW	1.5 – 3.5 / 4.0*	1.7 – 3.5 / 4.0*
Fuel Consumption	Control Range / Boost*	l/h	0.18 – 0.43 / 0.49	0.25 – 0.51 / 0.58
Rated Voltage		V	12 / 24	12
Rated Power Consumption	Control Range / Boost*	W	15 – 40 / 55	15 – 40 / 55
Heating Air Flow (against 0.5m/bar)	Maximum	m ³ /h	132 / 140	132 / 140
Fuel Type			Diesel EN 590 / PME DIN EN 14214 / heating oil EL	Petrol EN 228
Operating temperature range		°C	-40 to + 40	-40 to +40
Dimensions (LxBxH)		mm	423 x 148 x 162	423 x 148 x 162
Weight		Kg	5.9	5.9

*Increased heating performance "boost" possible with control unit MC Multi Comfort (for further details contact Sales)

Vehicle Heater Kits

Please note that vehicle heater kits are only approved for vehicle applications. Webasto Thermo & Comfort UK will not honour any liability caused by fitment of a vehicle heater kit in any non-road vehicle application.

Part No	Description	
4111387B	Diesel Air Top Evo 40 Vehicle Universal kit 12v including rotary control, fuel pump, wiring harnesses, exhaust & fuel "T" piece (does not include ducting – please refer to ducting section)	
4111388B	Diesel Air Top Evo 40 Vehicle Universal kit 24v including rotary control, fuel pump, wiring harnesses, exhaust & fuel "T" piece (does not include ducting – please refer to ducting section)	
4111653B	Petrol Air Top Evo 40 Vehicle Universal kit 12v including rotary control, fuel pump, wiring harnesses, exhaust & fuel "T" piece (does not include ducting – please refer to ducting section) 12v version	

Air Heating Systems

Air Top Evo 40 4.0kW Air Heater



Marine Heater Kits

Part No	Description
4110220B	Diesel Air Top Evo 40 Marine Universal Kit Including multifunctional rotary control 12v (does not include ducting – see accessories section)
4110221B	Diesel Air Top Evo 40 Marine Universal Kit including multifunctional rotary control 24v (does not include ducting – see accessories section)



Motorhome Heater Kits

Description
<p>Diesel Air Top Evo 40 R.V. Universal kit including standard rotary control 12v version</p> <p>Base Heater Kit: 9029235A</p> <p>Control Mount Plate: 474630</p> <p>Choice of floor mount plate: Round 41C0193 or Oblong 4145000 or Chassis Angled 41C0016</p> <p>External Mount Kit Option: R.V. external mounting box (RWA7300 + RWA7400) in place of floor mount plate</p> <p>N.B. Kit does not include any ducting or accessories – these are available separately – pricing upon application</p>
<p>Diesel Air Top Evo 40 R.V. Universal kit including MC05 control 12v version</p> <p>Base Heater Kit: 9029236A</p> <p>Control Mount Plate: 474630</p> <p>Choice of floor mount plate: Round 41C0193 or Oblong 4145000 or Chassis Angled 41C0016</p> <p>External Mount Kit Option: R.V. external mounting box (RWA7300 + RWA7400) in place of floor mount plate</p> <p>N.B. Kit does not include any ducting or accessories – these are available separately – pricing upon application</p>



Air Heating Systems

Air Top Evo 55 5.5kW Air Heater






Technical Data (tolerance $\pm 10\%$)

			Diesel	Petrol
EG-Type Approval code	EMC Heater		E1 03 5529 E1 00 0386	E1 03 5529 E1 00 0386
Heating Output	Control Range / Boost*	kW	1.5 – 5.0 / 5.5**	1.7 – 5.0 / 5.5**
Fuel Consumption	Control Range / Boost*	l/h	0.18 – 0.61 / 0.67	0.25 – 0.73 / 0.80
Rated Voltage		V	12 / 24	12
Rated Power Consumption	Control Range / Boost*	W	15 – 95 / 130	15 – 95 / 130
Heating Air Flow (against 0.5m/bar)	Maximum	m ³ /h	200 / 220	200 / 220
Fuel Type			Diesel EN 590 / PME DIN EN 14214 / heating oil EL	Petrol EN 228
Operating temperature range		°C	-40 to + 40	-40 to +40
Dimensions (LxBxH)		mm	423 x 148 x 162	423 x 148 x 162
Weight		Kg	5.9	5.9

*Increased heating performance "boost" possible with control unit MC Multi Comfort (for more details please contact Sales)

Vehicle Heater Kits

Please note that vehicle heater kits are only approved for vehicle applications. Webasto Thermo & Comfort UK will not honour any liability caused by fitment of a vehicle heater kit in any non-road vehicle application.



Part No	Description	
4111389B	Diesel Air Top Evo 55 Vehicle Universal kit 12v including rotary control, fuel pump, wiring harnesses, exhaust & fuel "T" piece (<i>does not include ducting – please refer to ducting section</i>)	
4111390B	Diesel Air Top Evo 55 Vehicle Universal kit 24v including rotary control, fuel pump, wiring harnesses, exhaust & fuel "T" piece (<i>does not include ducting – please refer to ducting section</i>)	
4111654B	Petrol Air Top Evo 55 Vehicle Universal kit 12v including rotary control, fuel pump, wiring harnesses, exhaust & fuel "T" piece (<i>does not include ducting – please refer to ducting section</i>)	

Air Heating Systems



Air Top Evo 55 5.5kW Air Heater



Marine Heater Kits

Part No	Description	
4110222B	Diesel Air Top Evo 55 Marine Universal kit including multifunction rotary control 12v (does not include ducting – see accessories section)	
4110223B	Diesel Air Top Evo 55 Marine Universal kit including multifunction rotary control 24v (does not include ducting – see accessories section)	

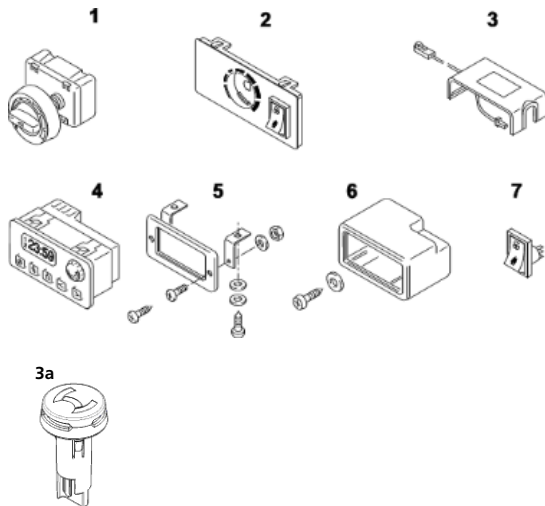
Motorhome Heater Kits

Description		
<p>Diesel Air Top Evo 55 R.V. Universal kit including standard rotary control 12v version</p> <p>Base Heater Kit: 9029244A</p> <p>Control Mount Plate: 474630</p> <p>Choice of floor mount plate: Round 41C0193 or Oblong 4145000 or Chassis Angled 41C0016</p> <p>External Mount Kit Option: R.V. external mounting box (RWA7300 + RWA7400) in place of floor mount plate</p> <p>N.B. Kit does not include any ducting or accessories – these are available separately – pricing upon application</p>		
<p>Diesel Air Top Evo 55 R.V. Universal kit including MC05 control 12v version</p> <p>Base Heater Kit: 9029245A</p> <p>Control Mount Plate: 474630</p> <p>Choice of floor mount plate: Round 41C0193 or Oblong 4145000 or Chassis Angled 41C0016</p> <p>External Mount Kit Option: R.V. external mounting box (RWA7300 + RWA7400) in place of floor mount plate</p> <p>N.B. Kit does not include any ducting or accessories – these are available separately – pricing upon application</p>		

Air Heating Systems

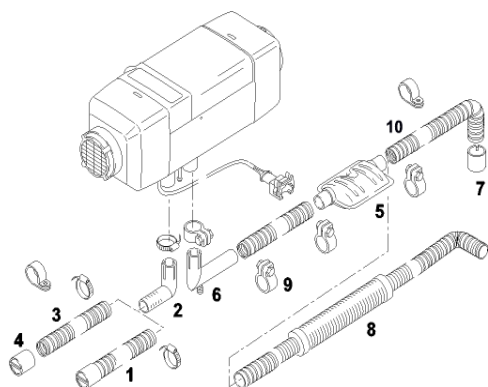
Air Top Evo Range Air Heaters

Operating Controls



Item No	Description	Part No.
1	Rotary Rheostat Control	1322581A
2	Switch Plate with Vent Switch	92240A
Not Shown	Adaptor harness for vent switch	1313908A
3	External Temperature Sensor 5m	1322459A
	External Temperature Sensor 20m	92649B
	External Temperature Sensor 2.5m	1319900A
3a	Button Style Ext. Temp Sensor 2.5m (Leisure)	9030881A
	Button Style Ext. Temp Sensor 5m (Leisure)	9030883A
4	Combi Rheostat/Digital Timer 12v	88206B
Not Shown	Combi Timer Upgrade Kit 12v	41K031A
4	Combi Rheostat/Digital Timer 24v	88205A
Not Shown	Combi Timer Upgrade Kit 24v	41K061A
5	Digital Timer Mounting Kit	474630
6	Digital Timer Housing	475866
7	Vent Switch	84586A
Not Shown	Air Top Evo MC 05 Standard Controller (other versions available)	1322822A
Not Shown	Air Top Evo MC 04 Special Vehicle Controller	1313209A
Not Shown	Frost Stat -5 to 15°C	4111263A
Not Shown	Pulse Relay Kit 12v Harness	4111364B
Not Shown	4 Hour Pulse Relay	4111932A
Not Shown	SmartController & MultiController	See Page 76
Not Shown	Marine 7 Day Programmable Timer kit 12v	4110555A
Not Shown	Heater Control MC 04 12/24v (Marine)	1322720A
Not Shown	Thermo Call (operation via smartphone) Note: For Air Top Evo heaters with MC controller only	7100350D

Combustion Air & Exhaust



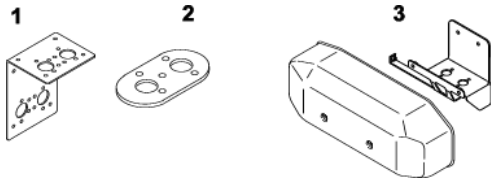
Item No	Description	Part No.
1	Air Intake Silencer Pipe	1319924A
2	Combustion Air Elbow	1320278A
3	Combustion Air Hose 25mm	1321587A
4	Combustion Air Hose End Cap	29517A
5	Exhaust Silencer	1320372A
6	Exhaust Elbow	91564B
7	Exhaust End Cap	4143034
8	Exhaust Silencer (leakproof)	1322001A
9	Exhaust Clamp	1320220A
10	Exhaust 24mm (S/Steel per m)	90394A
Not Shown	Hose Clip 20-32mm	4162427
Not Shown	P Clip 28mm	4162448
Not Shown	Exhaust Lagging 30mm per m	41V0001
Not Shown	S/Steel Cable Ties (for exhaust lagging)	4162441

(also suitable for Air Top 3500 / 5000 where shown)

Air Heating Systems

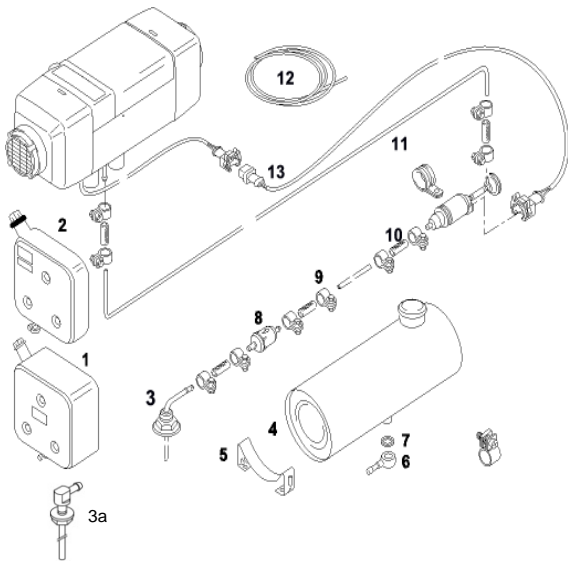
Air Top Evo Range Air Heaters

Mounting



Item No	Description	Part No.
1	Floor Mount Plate (angled)	41C0016
2	Base Mount Gasket	82227A
3	Plastic Enclosure inc bracket	9005942A
Not Shown	External Enclosure Box	4111132A
Not Shown	Floor Mount Plate (flat)	4144969
Not Shown	Floor Mount Plate (round flange)	41C0193
Not Shown	Floor Mount Plate (oblong flange)	4145000

Fuel System



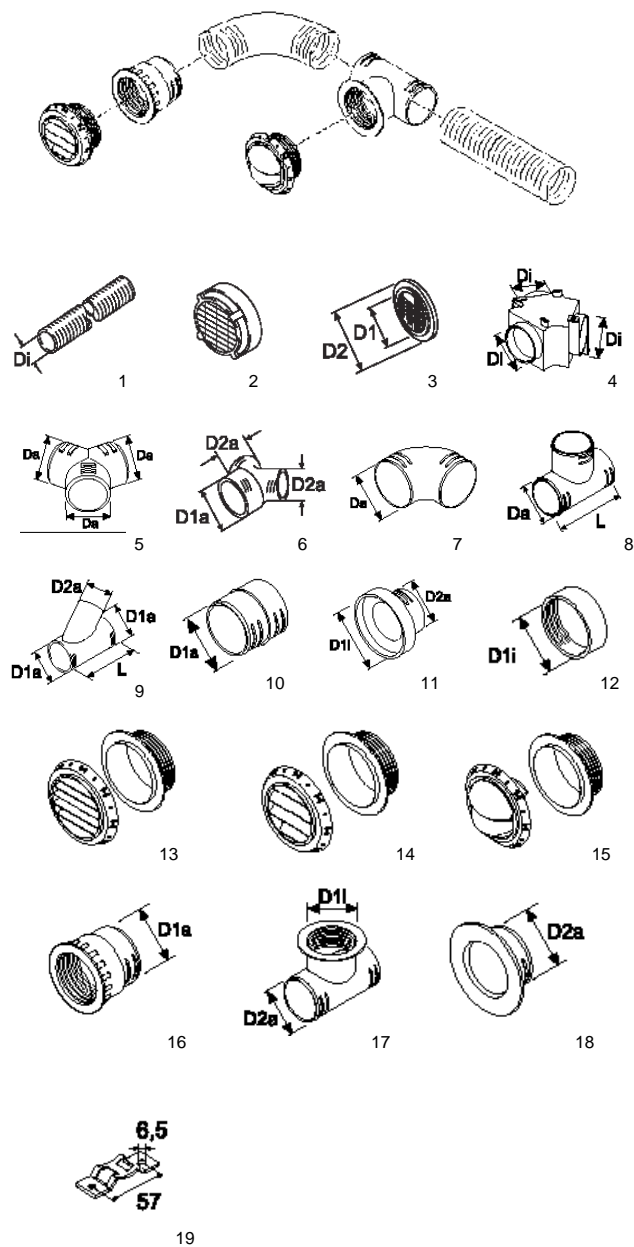
Item No	Description	Part No.
1	Plastic Fuel Tank 24 litres	1322531A
2	Plastic Fuel Tank 12 litres (no fitting kit incl)	9024224B
Not Shown	Fitting kit for 12l fuel tank	9025761A
3	Fuel Tank Standpipe 650mm lg	1320399A
3a	Fuel Tank Standpipe low profile 495mm lg 8.5mm hole	41S45017A
4	Metal Fuel Tank 12 litres	125016
5	Support Bracket (for 125016) 2 req	135186
6	Banjo M12 5mm hosetail	289566
7	Gasket	151173
8	Fuel Filter	1319466A
9	Fuel Hose Clip 10mm	330027
10	Fuel Pipe Connector (Straight)	484032
11	Nylon Fuel Hose 2mm id 5mm od per m	483931
12	Nylon Fuel Hose 2mm i.d. 5mm od 8m lg	4157900
13	Fuel Pump Harness 8.5m lg AT3900/5500 Fuel Pump Harness 8.5m lg AT40/55	4110815 4114072A
Not Shown	Fuel Pipe Connector 90°	1320134A
Not Shown	Fuel Cut Off Kit (Switch Type)	4112369A
Not Shown	Fuel Cut Off Kit (Tap Type)	4111812A
Not Shown	Fuel T Piece Kit 8mm (Refer to Thermo Top C Accessories section for more T Piece options)	411572
Not Shown	Fuel Filter and stop tap kit	4110766A
Not Shown	Marine fuel hose 5mm ISO7840 (per m)	4158400
Not Shown	Hose clips stainless steel 8-12mm	41S05037A
Not Shown	Marine Fuel Pump Insulation Jacket	41S85022A

(also suitable for Air Top 3500 / 5000 where shown)

Air Heating Systems

Air Top Evo Range Air Heaters

Ducting System



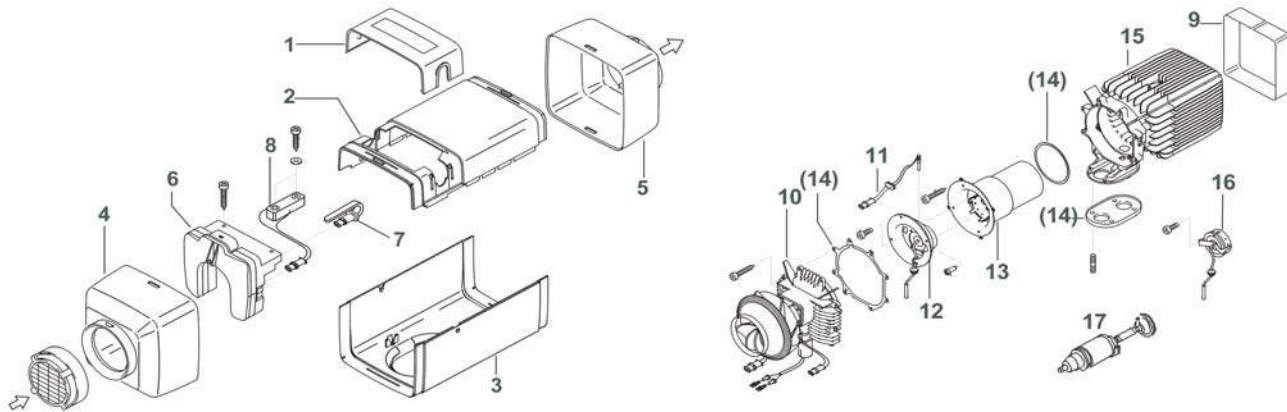
Item No	Description	Part No.
1	Ducting PAK (Di. 80mm) - per m	398519
	Ducting PAK (Di 90mm) - per m	90395A
Not Shown	Flexflyte Ducting 80mm (per m)	4151801
	Flexflyte Ducting 90mm (per m)	4151817
Not Shown	80mm Thermoduct—750mm lg	41570015A
2	Air Inlet Grille 90mm	1310581A
3	Embellisher Grille 80mm	
	Chrome (D1 80mm / D2 112)	252441
	Black Metal	4121109
4	Flap Valve Y Piece (Di. 90mm)	1320926A
Not Shown	Control Switch & Cable for flap valve	1319868A
5	Y Piece (Da 90mm) – Black	1320470A
6	Y Piece (D1a 80mm/D2a 60mm) – Black	1320471A
7	Elbow (Da 90mm) – Black	1320706A
8	T Piece 90° (Da 90mm/L 140) – Black	1320473A
9	Assymetric Y Branch (D1a 90 / D2a 60 / L 145mm) – Black	1320707A
10	Connector Pipe (D1a 90mm) – Black	1319869A
11	Reducer—Black	
	90-80mm	1320925A
	90-60mm	1320760A
12	End Cap (D1i 90mm)	1319870A
13	Outlet 90° (90mm) - Black	1320932A
	Outlet 90° (90mm) – White	1320711A
	Outlet 90° (90mm) – Grey	9012290A
14	Outlet 45° (90mm) - Black	1320709A
	Outlet 45° (90mm) – White	1320710A
	Outlet 45° (90mm) – Grey	1320354A
15	Outlet Closeable (90mm) - Black	1320355A
	Outlet Closeable (90mm) – White	1320713A
	Outlet Closeable (90mm) - Grey	1320714A
16	Backing Nut (D1a 90mm) – Black	1320468A
17	T Piece with Connector (D1i 60mm / D2a 90mm)	1320475A
18	Wall Pipe (90mm) – Black	1320924A
Not Shown	Ducting Silencer 80mm	1313512A
19	Ducting Support Bracket (MOQ 10 pcs)	1321044A
Not Shown	Hose Clip 70-90mm	139610
Not Shown	Heating Air Silencer	9028659A

(also suitable for Air Top 3500 / 5000 where shown)

For 60mm Ducting Accessories,
please refer to the Air Top 2000 ST Section

Air Heating Systems

Air Top 3500 / 5000 Air Heater Common Replacement Parts

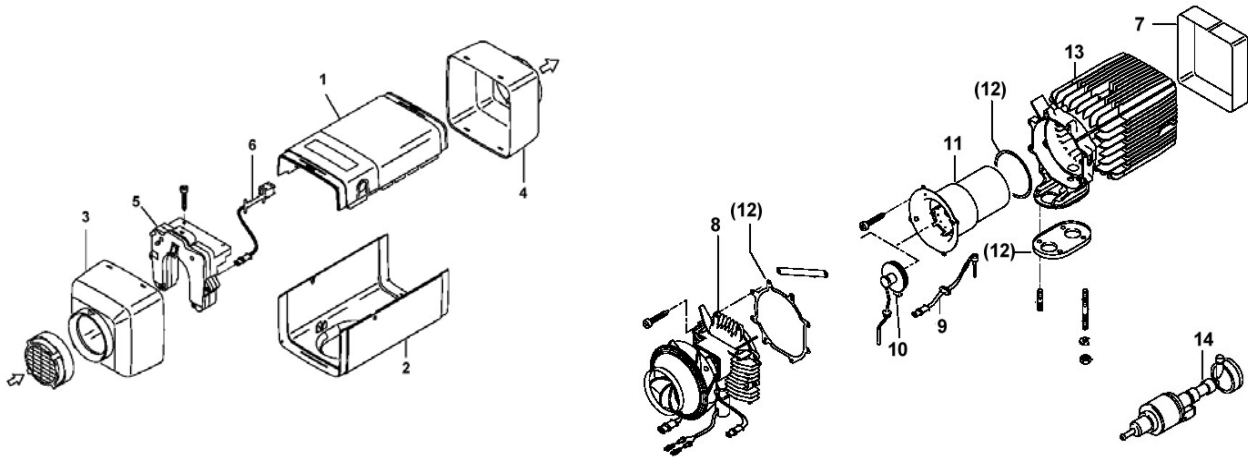


Item No	Description	Part No.
1	Control Unit Cover	1320180A
2	Top Casing – 1 Locating Peg Top Casing – 2 Locating Pegs	88003C 1320321A
3	Bottom Casing – 1 Locating Peg Bottom Casing – 2 Locating Pegs	88002C 1320320A
4	Inlet Hood – 1 Locating Peg Inlet Hood – 2 Locating Pegs	88004C 1320322A
5	Outlet Hood – 1 Locating Peg Outlet Hood – 2 Locating Pegs	1320315A 1320323A
6	Control Unit Air Top 3500 24v Diesel (Standard) Control Unit Air Top 3500 12v Diesel (Standard) Control Unit Air Top 5000 24v Diesel (Standard) Control Unit Air Top 5000 12v Diesel (Standard) Control Unit Air Top 3500 12v Diesel (RV*) Control Unit Air Top 5000 12v Diesel (RV*) <i>*(Must be used with remote temperature probe)</i>	89838B 89839C 89834B 89836C 67787B 67788B
7	Temperature Sensor	1319799A
8	Overheat Protection	1319798A
9	Sound Deadening Matting	1320187A
10	Drive Assembly Air Top 3500 24v Diesel (Standard) Drive Assembly Air Top 3500 12v Diesel (Standard) Drive Assembly Air Top 5000 24v Diesel (Standard) Drive Assembly Air Top 5000 12v Diesel (Standard)	91381A 91380A 91379A 91378A
11	Glowpin 12v Glowpin 24v	91370B 1322417A
12**	Burner with Glowpin 12v Burner with Glowpin 24v	67984B 1322862A
13	Burner Tube Diesel Version	97566A
14	Gasket Set	1322643A
15	Heat Exchanger	9004216A
16**	Burner - Standard Heater	67955A
17	Fuel Pump 12v Diesel Fuel Pump 24v Diesel	1322440A 1322433A
Not Shown	Universal Wiring Harness Combi Timer Wiring Harness	4110863 4110860
Not Shown	Reflector Foil (Pack of 5 pieces)	9022102A
Not Shown	Air Top 3500 / 5000 12v Service Kit (contains Burner with glowpin & gasket set) – Diesel Only Air Top 3500 / 5000 24v Service Kit (contains Burner with glowpin & gasket set) – Diesel Only	4111816A 4111817A

** DEPENDENT UPON HEATER YEAR OF MANUFACTURE/SERIAL NUMBER – PLEASE REFER TO WEBASTO TECHNICAL BULLETIN ED088

Air Heating Systems

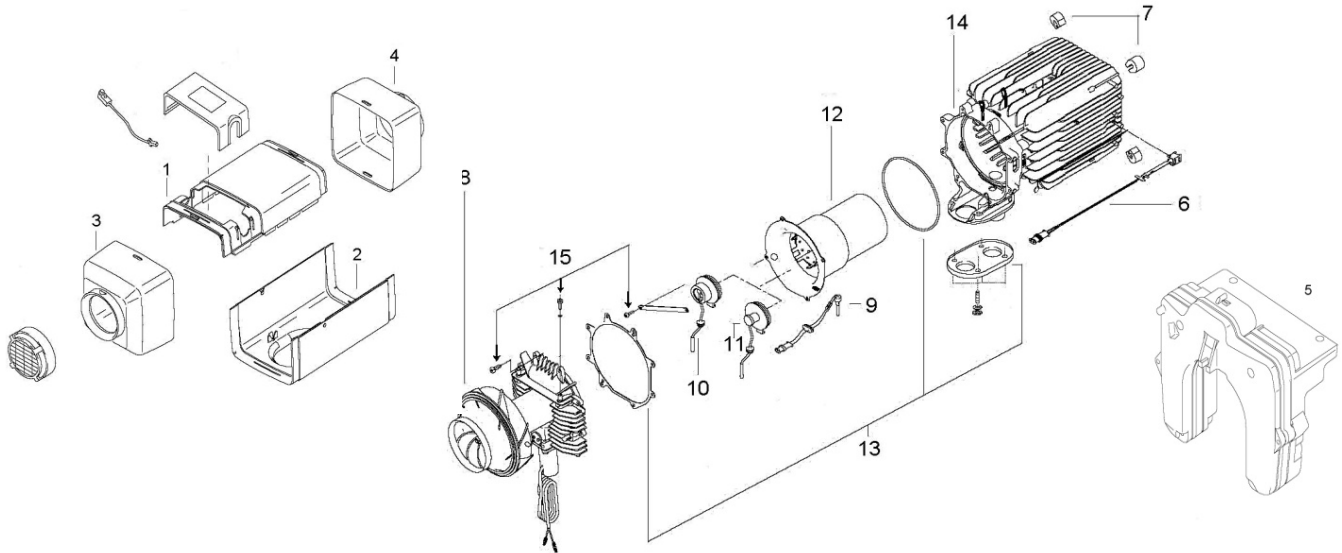
Air Top 3500 ST / Air Top 5000 ST Air Heater Common Replacement Parts



Item No	Description	Part No.
1	Top Casing—Air Top 3500ST/5000ST	1320321A
2	Bottom Casing—Air Top 3500ST/5000ST	1320320A
3	Air Inlet Hood—Air Top 3500ST/5000ST	1320322A
4	Air Outlet Hood—Air Top 3500ST/5000ST	1320323A
5	Electronic Control Unit 12v—Air Top 3500ST Diesel (Standard Version) Electronic Control Unit 24v—Air Top 3500ST Diesel (Standard Version) Electronic Control Unit 12v—Air Top 3500ST Diesel (Boat Version) Electronic Control Unit 24v—Air Top 3500ST Diesel (Boat Version) Electronic Control Unit 12v—Air Top 5000ST Diesel (Standard Version) Electronic Control Unit 24v—Air Top 5000ST Diesel (Standard Version) Electronic Control Unit 12v—Air Top 5000ST Diesel (Boat Version) Electronic Control Unit 24v—Air Top 5000ST Diesel (Boat Version)	9006824A 9006821A 9009682A 9009683A 9006822A 9006820A 9009684A 9009686A
6	Overheat Temperature Sensor—Air Top 3500ST/5000ST	9004227A
7	Sound Deadening Matting	1320187A
8	Drive Assembly 12v—Air Top 3500ST Drive Assembly 24v—Air Top 3500ST Drive Assembly 12v—Air Top 5000ST Drive Assembly 24v—Air Top 5000ST	9004209A 9004210A 9004211A 9004212A
9	Glowpin 12v—Air Top 3500ST/5000ST Glowpin 24v—Air Top 3500ST/5000ST	9004214B 9004215A
10	Burner Cartridge—Air Top 3500ST/5000ST Diesel Only	9004220A
11	Burner Tube—Air Top 3500ST/5000ST	9006653A
12	Gasket Set—Air Top 3500ST/5000ST	1322643A
13	Heat Exchanger—Air Top 3500ST/5000ST	9004216A
14	Fuel Pump 12v Diesel Fuel Pump 24v Diesel	1322440A 1322433A
Not Shown	Universal Wiring Harness Combi Timer Wiring Harness	4110863 4110860
Not Shown	Reflector Foil (Pack of 5 pieces)	9022102A
Not Shown	Air Top 3500 / 5000 ST 12v Service Kit (contains Burner with glowpin & gasket set) – Diesel Only Air Top 3500 / 5000 ST 24v Service Kit (contains Burner with glowpin & gasket set) – Diesel Only	4111821A 4111822A

Air Heating Systems

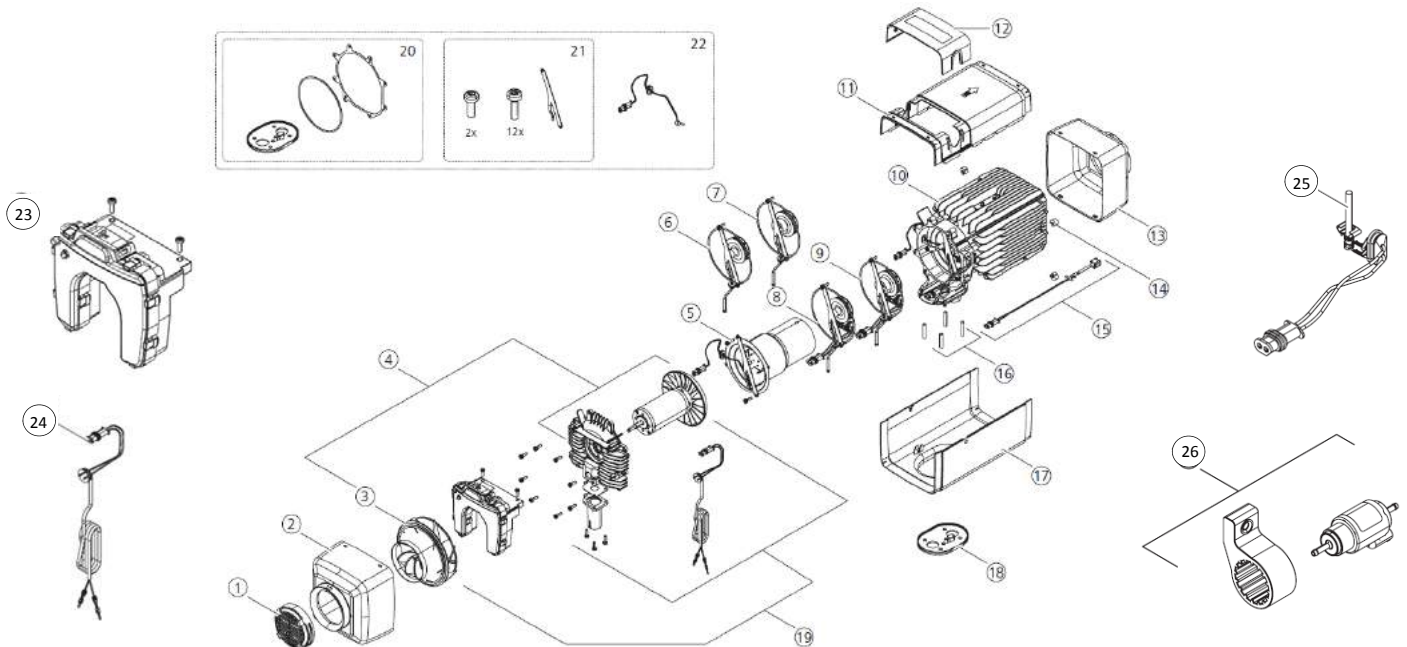
Air Top Evo 3900 / Air Top Evo 5500 Air Heater Common Replacement Parts



Item No	Description	Part No.
1	Top Casing—Air Top Evo 3900/5500	1320321A
2	Bottom Casing—Air Top Evo 3900/5500	1320320A
3	Air Inlet Hood—Air Top Evo 3900/5500	1320322A
4	Air Outlet Hood—Air Top Evo 3900/5500	1320323A
5	Electronic Control Unit 12v—Air Top Evo 3900 Diesel Standard Version Electronic Control Unit 12v—Air Top Evo 3900 Petrol Standard Version Electronic Control Unit 24v—Air Top Evo 3900 Diesel Standard Version Electronic Control Unit 12v—Air Top Evo 5500 Diesel Standard Version Electronic Control Unit 12v—Air Top Evo 5500 Petrol Standard Version Electronic Control Unit 24v—Air Top Evo 5500 Diesel Standard Version <i>Other specialist version control units are available, dependent upon the model</i> <i>Air Top Evo version—please refer to Webasto spare parts list—pricing available upon request</i>	1313137A 1313141A 1313144A 1313133A 1313135A 1313136A
6	Overheat Temperature Sensor—Air Top Evo 3900/5500	1313158A
7	Replacement Isolator Set—Air Top Evo 3900/5500	1303326A
8	Drive Assembly 12v/24v Air Top Evo 3900 Drive Assembly 12v/24v Air Top Evo 5500	9018417A 1313121A
9	Glowpin 12v—Air Top Evo 3900/5500 Glowpin 24v—Air Top Evo 3900/5500	1314150A 1314151A
10	Burner Cartridge Petrol—Air Top Evo 3900/5500	1313127A
11	Burner Cartridge Diesel—Air Top Evo 3900/5500	1313132B
12	Burner Tube—Air Top Evo 3900/5500	9006653A
13	Gasket Set—Air Top Evo 3900/5500	1322643A
14	Heat Exchanger—Air Top Evo 3900/5500	1314152A
15	Screw Set—Air Top Evo 3900/5500	9004229A
Not Shown	Fuel Pump 12v Diesel Fuel Pump 24v Diesel Fuel Pump 12v Petrol	1322440A 1322433A 82554A
Not Shown	Universal Wiring Harness 4.8m Lg	1319836A
Not Shown	Reflector Foil (Pack of 5 pieces)	9022102A
Not Shown	Air Top Evo 3900 / 5500 12v Service Kit (contains Burner with glowpin & gasket set) – Diesel Only Air Top Evo 3900 / 5500 24v Service Kit (contains Burner with glowpin & gasket set) – Diesel Only	4111823A 4111824A

Air Heating Systems

Air Top Evo 40 / Air Top Evo 55 Air Heater Common Replacement Parts



Item No	Description	Part No.
1	Air Inlet Grille	1310581A
2	Air Inlet Hood	1320322A
3	Air Fan	9023385A
4	Drive Assembly with Fuel Pump Wiring Harness – Air Top Evo 40 Drive Assembly with Fuel Pump Wiring Harness – Air Top Evo 55	9029390A 9029393A
5	Burner Tube	9029410A
6	Burner without Glowplug Air Top Evo 40/55 Petrol	9029414A
7	Burner without Glowplug Air Top Evo 40/55 Diesel	9029415A
8	Burner with Glowplug Air Top Evo 40/55 Petrol 12v	9029411A
9	Burner with Glowplug Air Top Evo 40/55 Diesel 12v Burner with Glowplug Air Top Evo 40/55 Diesel 24v	9029412A 9029413A
10	Heat Exchanger	9029416A
11	Top Casing	1320321A
12	Control Unit Cover	1320180A
13	Outlet Cover	1320323A
14	Bag Insulators (4)	1303326A
15	Bag Blow Out Temperature Sensor	1313158A
16	Stud Bolt Set	1322868A
17	Bottom Casing	1320320A
18	Base Gasket	1310580A
19	Drive without fuel pump harness Air Top Evo 40 Drive without fuel pump harness Air Top Evo 55	9029388A 9029392A
20	Bag Gasket Set	1322643A
21	Bag Screw Set	9029408A
22	Exhaust Gas Temperature Sensor	9029409A
23	Electronic Control Unit Air Top Evo 40 Diesel 12v Electronic Control Unit Air Top Evo 55 Diesel 12v Electronic Control Unit Air Top Evo 40 Petrol 12v Electronic Control Unit Air Top Evo 55 Petrol 12v Electronic Control Unit Air Top Evo 40 Diesel 24v Electronic Control Unit Air Top Evo 55 Diesel 24v	9029417A 9029418A 9029419A 9029420A 9029421A 9029422A
24	Wiring harness Air Top Evo 40/55 (DP42 pump)	9029425A
25	Glowplug 12v Glowplug 24v	1314150A 1314151A
26	Fuel Pump DP42	1314848A

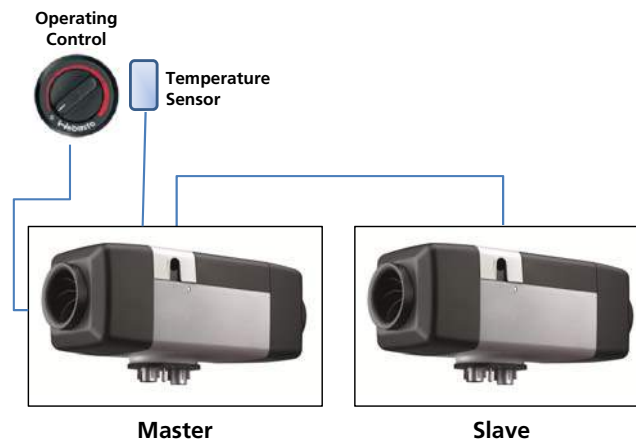
Air Heating Systems

Modular Air Heating System up to 11kW

Build up as a system

Webasto air heaters Air Top Evo 40 and Air Top Evo 55 offer the option to operate up to 2 heaters within one system.

Heater "1" is defined as the "master" heater; the other heater is named "slave" heater. The operating control and external temperature sensor are connected to the "master" heater. The "slave" heater is connected to the wiring harness of the "master" heater. The communication between the various devices happens via a serial bus system. By combining heaters, a system can be individually adapted to a specific application.

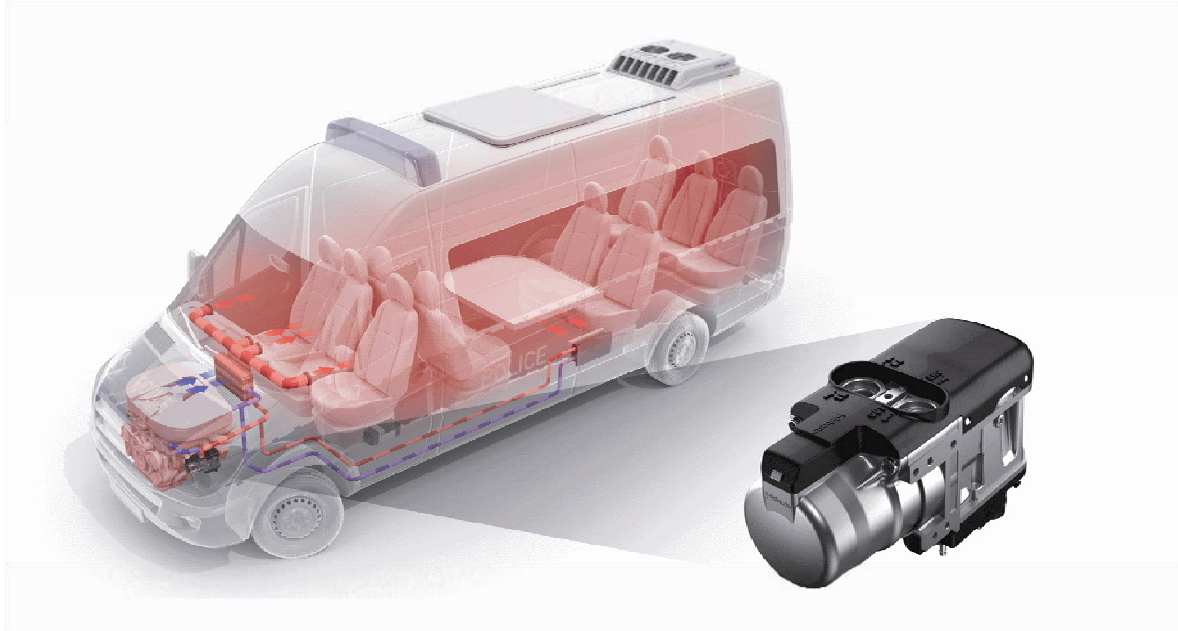


- Modular concept – all heating devices are identical
- Easy to install – the system configures itself automatically
- One master heating device controls all slave heating devices
- Only one operating control device
- Only one temperature sensor
- Diagnosis enabled

Please contact our Sales Department for further information & pricing
Please note that vehicle heater kits are only approved for vehicle applications.
Webasto Thermo & Comfort UK will not honour any liability caused by fitment of a vehicle heater kit in any non-road vehicle application.

Water Heaters

Comfort, safety and convenience



- Performance from 4 up to 35kW
- Versatile use for all market segments
- Compact design
- Robust combustion technology and dependable operation
- Broad spectrum of applications

Parking Heater & Engine Pre Heat Upgrade Kits

Kits are available to upgrade direct diesel injection vehicles installed with a Webasto heater as a supplementary boost heater from factory to enjoy the full features and benefits of a parking heater system. For further information and pricing, please contact our Sales Department.



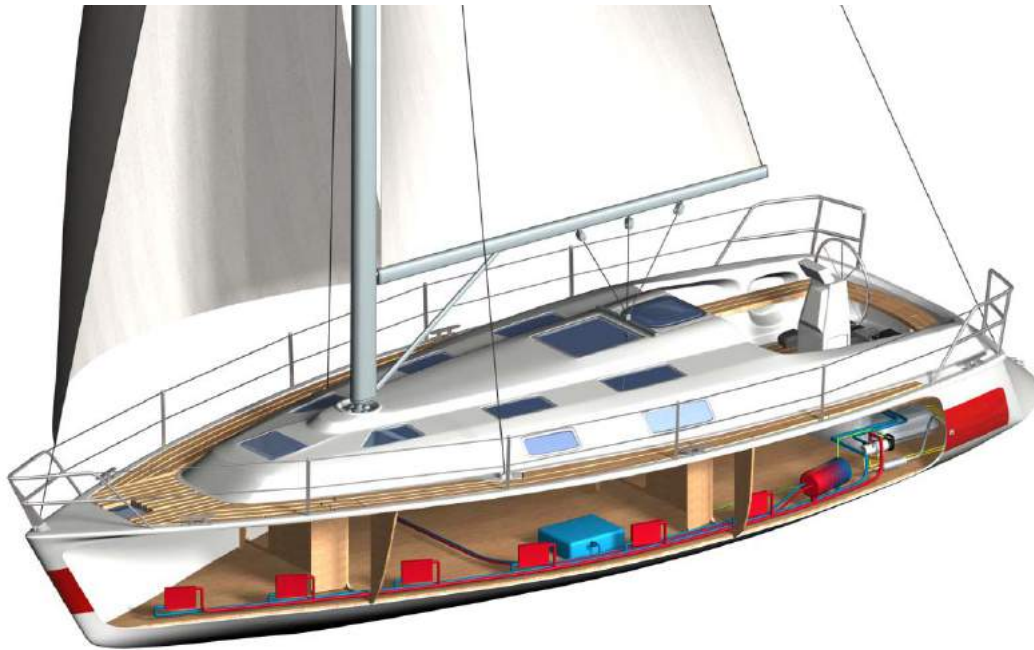
Thermo Top Range



Thermo Pro 90

Water Heaters

Comfort, safety and convenience



- Performance from 4 up to 35kW
- Versatile use for all market segments
- Compact design
- Robust combustion technology and dependable operation
- Broad spectrum of applications



Thermo Top Range



Thermo Pro 90

Water Heaters

Comfort, safety and convenience



- Compact design
- Robust combustion technology and dependable operation
- Broad spectrum of applications



Thermo Top Range



Thermo Pro 90

Water Heating Systems

Thermo Top E 4.2kW Water Heater



Technical Data (tolerance $\pm 10\%$)				
			Diesel	Petrol
EG-Type Approval code			e1*2001/56*0104*_	e1*2001/56*0104*_
Heat Output	Partial/Full Load	kW	2.5 / 4.2	2.5 / 4.2
Fuel Consumption	Partial/Full Load	kg/h	0.3 / 0.49	0.34 – 0.56
Rated Voltage		V	12	12
Rated Power Consumption with circulation pump	Partial/Full Load	W	32 – 37	32 - 37
Fuel Type			Diesel / PME-mix, with <50% PME-part	Petrol
Operating temperature range		°C	-40 to + 60	-40 to + 60
Dimensions (LxBxH)		mm	214 x 106 x 168	214 x 106 x 168
Weight		Kg	2.9	2.9

Vehicle Heater Kits

Please note that vehicle heater kits are only approved for vehicle applications. Webasto Thermo & Comfort UK will not honour any liability caused by fitment of a vehicle heater kit in any non-road vehicle application.

Part No	Description
9003169C	Petrol Thermo Top E Basic Vehicle Universal kit without operating control 12v
9003170C	Diesel Thermo Top E Basic Vehicle Universal kit without operating control 12v

Marine Heater Kits

Part No	Description
4110462G	Diesel Thermo Top E Narrowboat Kit 12v with seven day programmable digital timer & filter

Water Heating Systems

Thermo Top C/Z 5.2kW Water Heater



Technical Data (tolerance $\pm 10\%$)				
			Diesel	Petrol
EG-Type Approval code			e1*2001/56*0002*_	e1*2001/56*0002*_
Heat Output	Partial/Full Load	kW	2.5 / 5.2	2.5 / 5.2
Fuel Consumption	Partial/Full Load	kg/h	0.3 / 0.61	0.34 – 0.7
Rated Voltage		V	12	12
Rated Power Consumption with circulation pump	Partial/Full Load	W	32 – 42	32 - 42
Fuel Type			Diesel / PME-mix, with <50% PME-part	Petrol
Operating temperature range		°C	-40 to + 60	-40 to + 60
Dimensions (LxBxH)		mm	214 x 106 x 168	214 x 106 x 168
Weight		Kg	2.9	2.9

Vehicle Heater Kits

Please note that vehicle heater kits are only approved for vehicle applications. Webasto Thermo & Comfort UK will not honour any liability caused by fitment of a vehicle heater kit in any non-road vehicle application.

Part No	Description
9003167C	Petrol Thermo Top C Basic Vehicle Universal kit without operating control 12v
9003168C	Diesel Thermo Top C Basic Vehicle Universal kit without operating control 12v
89246C	Diesel Thermo Top Z Basic Vehicle Supplementary Heater Universal kit 12v
89247D	Upgrade Kit for Thermo Top Z

Marine Heater Kits

Part No	Description
41K5037C	Diesel Thermo Top C Narrowboat kit with seven day programmable timer & filter kit 12v
41K5083C	Diesel Thermo Top C Marine kit with digital timer 12v

Water Heating Systems

Thermo Top Evo Range Water Heaters



Technical Data (tolerance $\pm 10\%$)

			Thermo Top Evo 4 Diesel	Thermo Top Evo 4 Petrol	Thermo Top Evo 5 Diesel	Thermo Top Evo 5 Petrol	Thermo Top Evo 5+ Diesel	Thermo Top Evo 5+ Petrol
EG-Type Approval code	ECE R122 ECE R10	Heating EMC	E1 00 0258 E1 03 5627					
Heat Output	Partial/Full Load	kW	2.5/4.0	2.8/4.0	2.5/5.0	2.8/5.0	2.5/5.0	2.8/5.0
Fuel Consumption	Partial/Full Load	l/h	0.31/0.49	0.39/0.56	0.31/0.62	0.39/0.70	0.31/0.62	0.39/0.70
Nominal Voltage		V	12					
Nominal Power Consumption without circulation pump	Partial/Full Load	W	12/21	15/21	12/32	15/32	12/32	15/32
Fuel			Diesel EN590	Petrol EN228	Diesel EN590	Petrol EN228	Diesel EN590	Petrol EN228
Operating temperature range		°C	-40 to +80	-40 to +60	-40 to +80	-40 to +60	-40 to +80	-46 to +60
Dimensions (LxBxH) (exc water pump)		mm	218 x 91 x 147					
Weight (exc water pump)		Kg	2.1					

U4847 Circulating pump

Volume Flow		(l/h)	500					
Dimensions (LxBxH)		mm	96 x 75 x 80					
Weight		Kg	0.3					

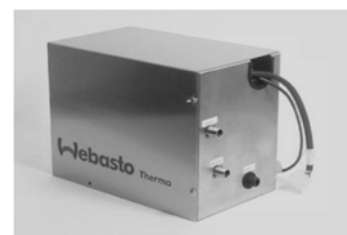
Vehicle Heater Kits

Please note that vehicle heater kits are only approved for vehicle applications. Webasto Thermo & Comfort UK will not honour any liability caused by fitment of a vehicle heater kit in any non-road vehicle application.

Part No	Description
1314812B	Thermo Top Evo 4 Petrol 12v (Contains heater, circulating pump, standard wiring harness with relay and fuses)
1314816B	Thermo Top Evo 4 Diesel 12v (Contains heater, circulating pump, standard wiring harness with relay and fuses)
1314811A	Thermo Top Evo 5 Petrol 12v (Contains heater, circulating pump, standard wiring harness with relay and fuses)
1314815A	Thermo Top Evo 5 Diesel 12v (Contains heater, circulating pump, standard wiring harness with relay and fuses)
1314810A	Thermo Top Evo 5+ Petrol 12v (Contains heater, circulating pump, standard wiring harness with relay and fuses)
1314814A	Thermo Top Evo 5+ Diesel 12v (Contains heater, circulating pump, standard wiring harness with relay and fuses)
1314818D	Standard Installation Kit for Thermo Top Evo (Contains water connection, device holder, connection, fan control, exhaust system with silencer, air intake system with silencer) Note: Dedicated vehicle installation kits (LHD vehicles) are also available – details on request

Water Heating Systems

Thermo 50 5.2kW Water Station



Technical Data (tolerance $\pm 10\%$)			
			Thermo 50
EG-Type Approval code			e1*2001/56*0002*_
Heat Performance	Partial Load/Full Load	kW	2.6 – 5.2
Fuel Consumption	Partial Load/Full Load	kg/h	0.29 – 0.59
Nominal Power Consumption with circulation pump	Partial Load Full Load	W	22-34 32-50
Fuel Type			Diesel
Dimensions (LxBxH)		mm	390 x 235 x 310
Weight		Kg	15

The Webasto Water Station acts as a central unit for the heating of the vessel's warm water heating system (such as radiators & fan heat exchangers). Additionally, domestic warm water is heated on demand using a Webasto Calorifier. The switching from central heating to domestic warm water heating is done automatically.

Please note that due to the specialist nature of these products, pricing will be provided upon application

Heater Kits

Part No	Description
77054500	Diesel Thermo 50 Marine Water Station 12v
77054600	Diesel Thermo 50 Marine Water Station 24v

Water Heating Systems

Thermo Top C 300 Motorcaravan Parking Heater



Technical Data (tolerance $\pm 10\%$)			
			Diesel
EG-Type Approval code			e1*2001/56*0002*_
Heat Output	Partial/Full Load	kW	2.5 / 5.2
Fuel Consumption	Partial/Full Load	kg/h	0.3 / 0.61
Rated Voltage		V	12
Rated Power Consumption with circulation pump	Partial/Full Load	W	32 – 42
Fuel Type			Diesel / PME-mix, with <50% PME-part
Operating temperature range		°C	-40 to + 60
Dimensions (LxBxH)		mm	214 x 106 x 168
Weight		Kg	2.9

Motorhome Heater Kits

Part No	Description
41K107D	Panel Van/Small Van (Universal Kit) Diesel Thermo Top C 300 5.2kW Universal quick heat independent hot water system complete with header tank, plate heat exchanger, mixer valve, one heater blower, dedicated panel switch, associated pipework, fittings etc

Note: Use one blower box for small van (e.g. VW Transporter size). Use an additional Silencio 2 Blower Box for larger sized vehicles (e.g. Fiat Ducato/Renault Master). Refer to blower box section for part numbers and pricing)

Water Heating Systems

Thermo Top C 300 5.2kW Parking Heater



Technical Data (tolerance $\pm 10\%$)

			Diesel
EG-Type Approval code			e1*2001/56*0002*_
Heat Output	Partial/Full Load	kW	2.5 / 5.2
Fuel Consumption	Partial/Full Load	kg/h	0.3 / 0.61
Rated Voltage		V	12
Rated Power Consumption with circulation pump	Partial/Full Load	W	32 – 42
Fuel Type			Diesel / PME-mix, with <50% PME-part
Operating temperature range		°C	-40 to + 60
Dimensions (LxBxH)		mm	214 x 106 x 168
Weight		Kg	2.9

Motorhome Parking Heater Kits

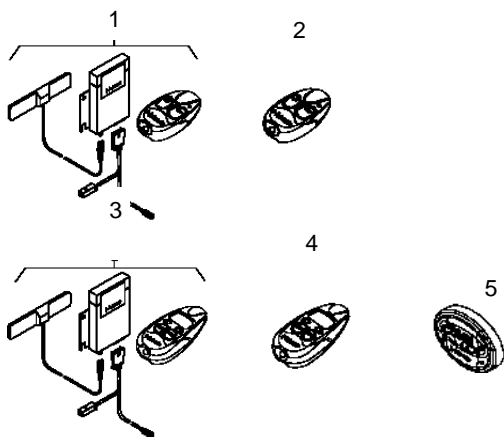
Description	Part Number (s)
Fiat Ducato 2.3/2.8 (Model Year 2002-2005)	9008069C
Fiat Ducato 2.3 120PS (Model Year 2006)	9015824A + 9016330B
Fiat Ducato 2.3 130PS (Model Year 2006)	9015824A + 9015693D
Fiat Ducato 3.0 160PS (Model Year 2006)	9015824A + 9016330B
Ford Transit 2.0 /2.4 (Model Year 2002-2005)	9012129B
Ford Transit 2.2 for front wheel drive (Model Year 2006)	9015824A + 9015705B
Ford Transit 2.4 for rear wheel drive (Model Year 2006)	9015824A + 9016212B
Iveco Daily 3.0 (Model Year 2006)	9015824A + 9016323B
Iveco Daily 3.0 (Model Year 2010) Euro 5	9015824A + 9016323B + 1315729A
Mercedes-Benz Sprinter 2.2/3.0 (Model Year 2006)	9015824A + 9016207A
Renault Master 2.5/3.0 (Model Year 2004-2005)	9010647C
Renault Master 2.5/3.0 (Model Year 2006)	9015824A + 9016321A
Iveco Euro 5 Fan Integration Kit	1315729A

Please note: The contents of the above kits are based on LHD vehicles and can generally be adapted for RHD installation, however, other minor parts may be required to fulfil the installation.

Water Heating Systems

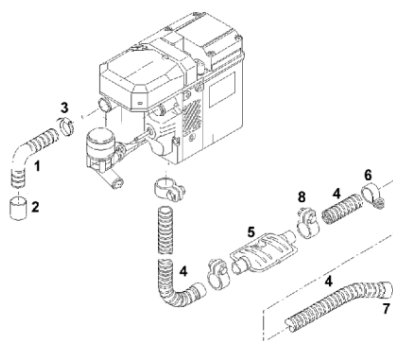
Thermo Top Range Water Heaters

Operating Controls



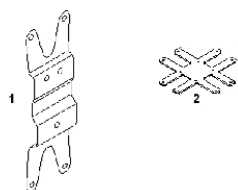
Item No	Description	Part No.
1	T91 Handset Upgrade Kit	1314635A
2	T91 Handset Only	1314636A
3	HTM T100 Upgrade Kit	1314637A
4	HTM T100 Handset Only	1314638B
Not Shown	Receiver T91/HTM 100	1314639A
5	Digital Timer (60 mins) Oval Type	1322580A
Not Shown	Digital Timer (60 mins) Square	35967B
Not Shown	Automatic blower control kit	3391288A
Not Shown	3 Gang Panel Switch	41M0039
Not Shown	Plug kit for 3 gang Panel Switch	41N0171
Not Shown	Frost Stat -5 to +15°C	4111263A
Not Shown	4 hour Pulse Relay 12v	4111932A
Not shown	Pulse Relay Kit Harness 12v	4111364B
Not Shown	Marine 7 day programmable timer 12v	4110551A
Not Shown	Thermo Call (operation via smartphone)	7100350D
Not Shown	SmartController & MultiController	See Page 76

Combustion Air & Exhaust



Item No	Description	Part No.
1	Combustion Air Pipe 25mm	23298B
2	C/Air Pipe End Cap 25mm (MOQ 10 pcs)	1320257A
3	Hose Clip 20-27mm	9015918A
4	Flexible Exhaust 22mm (per m)	337390
5	Exhaust Silencer 22mm	1320895A
6	P Clip 25mm	405256
7	Protection End Cap	318302
8	Exhaust Clamp 24-27mm	1320815A
Not Shown	Exhaust Lagging	41V0001
Not Shown	Cable Ties (S/Steel for Lagging)	4162441
Not Shown	Exhaust Adaptor 22-24mm	1320382A
Not shown	Exhaust Skin Fitting 24mm (Straight)	1320363A
	Exhaust Skin Fitting 24mm (90°)	9018379A

Mounting

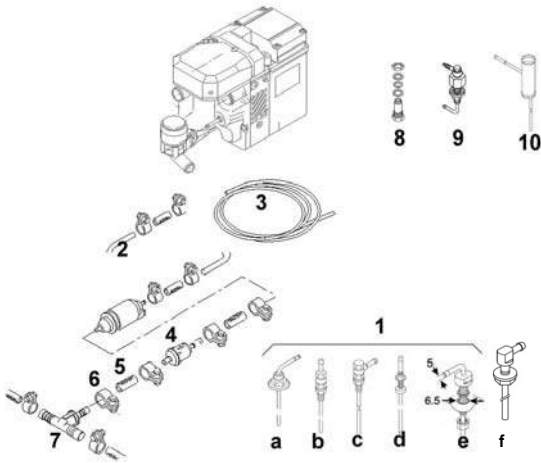


Item No	Description	Part No.
1	Universal Mounting Bracket TTE/C	1320178A
2	Universal Mounting Bracket	28382A

Water Heating Systems

Thermo Top Range Water Heaters

Fuel System

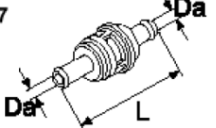
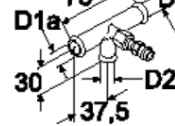
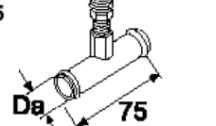
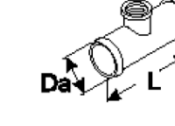
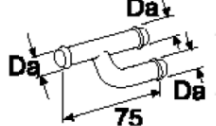
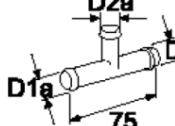
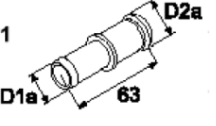
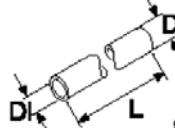
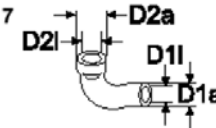
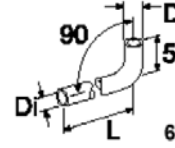
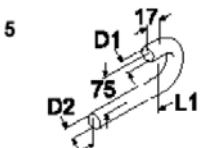
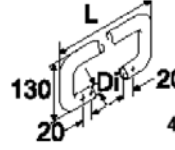
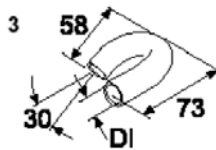
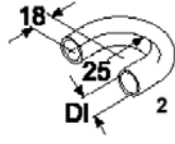
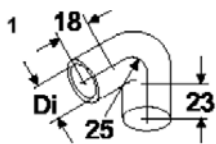


Item No	Description	Part No.
1	a) Fuel Tank Standpipe b) Fuel Sender 8mm c) Fuel Sender 90° 300mm lg d) Fuel Sender 6mm e) Fuel Extractor Low Profile f) Fuel Tank Standpipe low profile 495mm lg 8.5mm hole	1320399A 4154304 25908B 1300494A 9003497C 41S45017A
2	Nylon Fuel Hose 2mm id 5mm od	483931
3	Nylon Fuel Hose 2mm i.d. 5mm od 8m length	4157900
4	Fuel Filter	1319466A
5	Fuel Pipe Connector (Straight)	484032
6	Fuel Hose Clip 10mm	330027
7	Fuel T Piece(s) 6 x 5 x 6 (J Shape) 8 x 5 x 8 (J Shape) 10 x 5 x 10 (J Shape) 12 x 5 x 12 (J Shape) 6 x 5 x 6 (T shape – Metal) 8 x 5 x 8 (T shape – Metal) 10 x 5 x 10 (T shape – Metal) 12 x 5 x 12 (T shape – Metal) 15 x 6 x 15 (T shape – Metal) 6 x 5 x 6 (T shape – Plastic) 8 x 5 x 8 (T shape – Plastic) 10 x 5 x 10 (T shape – Plastic) 12 x 5 x 12 (T shape – Plastic)	1310367B 1320574A 1320806A 1310370A 1310349B 1320573A 1310351B 1310352B 1310412A 1321002A 1320192A 1321003A 1319951A
8	Tank Extractor 5mm	107762
9	Tank Extractor – VAG Group	9001450C
10	Tank Extractor (15mm Fuel Hose) Tank Extractor (18mm Fuel Hose) Tank Extractor (20mm Fuel Hose)	86277A 86379A 67435A
Not Shown	Fuel Pipe Connector 90°	1320134A
Not Shown	Fuel Filter and stop tap kit	4110766A
Not Shown	Marine fuel hose 5mm ISO7840 (per m)	4158400
Not Shown	Fuel standpipe 650mm lg 5.5mm dia	1320399A
Not Shown	Hose clips stainless steel 8-12mm	41S05037A
Not Shown	Marine Fuel Pump Insulation Jacket	41S85022A

Water Heating Systems

Thermo Top Range Water Heaters

Water System



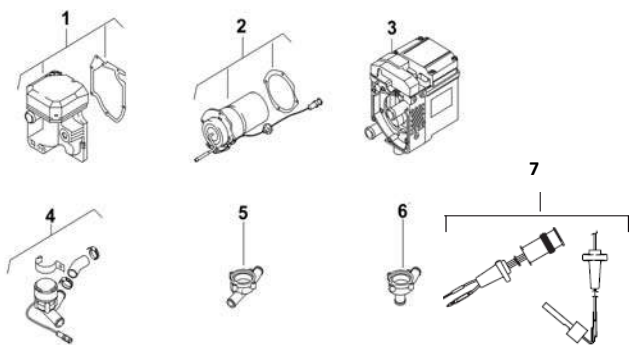
Item No	Description	Part No.
1	Formed Hose 90° Di18/Da25	431397
2	Formed Hose 180° Di 18/Da 25 Di 20/Da 27	403474 29938A
3	Formed Hose Di18/Da25	431400
4	Formed Hose Di18/Da25 – 2200mm lg Di18/Da25 – 3000mm lg Di20/Da25 – 2200mm lg	1319455A 105698 1319631A
5	Formed Hose Di18/Da25 – 576mm lg Di18/Da25 – 1100mm lg	436267 29420A
6	Formed Hose 1020mm lg Di15/Da22 Di18/Da27 Di22/Da29	248371 436259 21488A
7	Formed Hose D1i15/D1a22; D2i18/D2a25	403482
8	Straight Coolant Hose Di15/Da22 – 2750mm lg Di18/Da27 – 2000mm lg	406074 369136
Not shown	Coolant Hose (sold as a 15m roll) 15mm-5/8" i.d. 16mm-5/8" i.d. 19mm-3/4" i.d.	41S30013A 4157515 41G0049

Item No	Description	Part No.
1	Connecting Tube: D1a15/D2a18 D1a18/D2a20 D1a18/D2a22 D1a20/D2a20 D1a20/D2a22	9005813B 66908B 1320155A 1320342A 1319594A
2	T Piece: D1a15/D2a15 D1a18/D2a15 D1a18/D2a18 D1a20/D2a15 D1a20/D2a20	138207 1320532A 355240 138223 1319602A
3	Connection Pipe 18mm	123858
4	T Piece Da15 65mm lg Da18 100mm lg	119064 111550
5	In line Bleed Valve Da15 Da18	131922A 1319219A
6	T Piece with Bleed Valve Da15 Da18	488526 488534
7	One Way Valve without Junction Da15 104mm lg Da18 100mm lg Da18 90mm lg Da20 100mm lg	12754A 12706A 109557 15685A
Not Shown	19-19mm brass hose connector	41H0001
Not Shown	16-19 Dual T Piece	41K0020
Not Shown	15-20 Hose Adaptor (MOQ 10 pcs)	1321000A
Not Shown	5 litre plastic expansion tank kit	41K5210A

Other Valves and T Pieces are available upon request

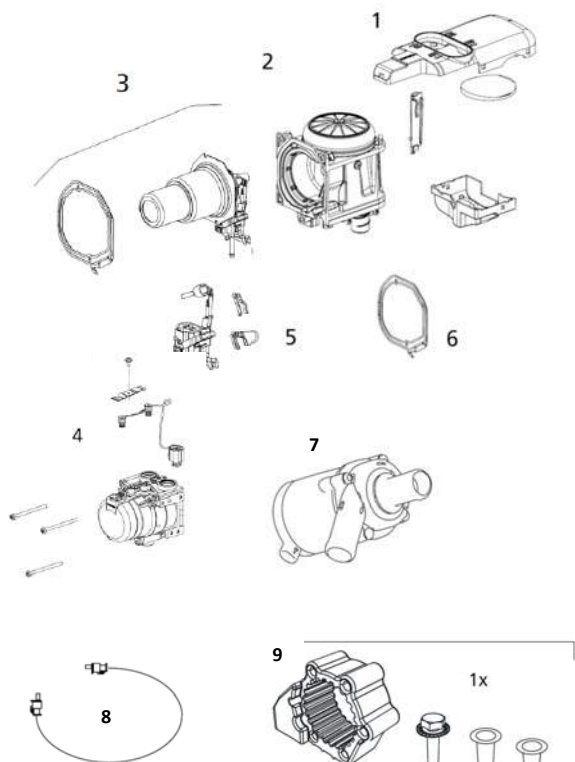
Water Heating Systems

Thermo Top Range Water Heaters Common Replacement Parts – Diesel Only



Item No	Description	Part No.
1	Diesel Combustion Air Motor 12v – TTE/C	1322649A
2	Diesel Burner Cartridge c/w Glowpin 12v – Standard	1322639A
3	Diesel Burner Head/Heat Exchanger/ECU – TTC (Std)	92998G
	Diesel Burner Head/Heat Exchanger/ECU—TTE	9001398D
	Diesel Burner Head/Heat Exchanger/ECU—TTC 300 MODEL (RV & Marine Version)	9007864C
4	Water Pump U4847 12v – TTE/C	9002514B
5	Water Pump Housing 193° - TTE/C	1322704A
6	Water Pump Housing Axial – TTE/C	1322702A
7	Glowpin 12v	9017813B
-	Fuel Pump 12v	1322440A
-	Gasket Set	9000861A

Thermo Top Evo Range Water Heaters Common Replacement Parts – Diesel Only



Item No	Description	Part No.
1	Cover	1316036A
2, 6	Fan Thermo Top Evo 4 Diesel	1315943A
	Fan Thermo Top Evo 5 Diesel	1315941B
	Fan Thermo Top Evo 5+ Diesel	1315942A
3	Burner Thermo Top Evo Diesel	1315947A
4, 6	Heat Exchanger Thermo Top Evo	1315950A
5, 6	Glowplug Thermo Top Evo	1315949B
7	Water Pump U4847 Econ Axial 18mm	1316193A
8	Cable Water Pump U4847 400mm	1320306A
	Cable Water Pump U4847 600mm	1319967A
	Cable Water Pump U4847 1500mm	1320307A
9	Bag Support Water Pump U4847 Econ	1322841A
-	Cable Water Pump U4847 AM 750mm	1320308A
-	Dosing Pump DP42 12v	1322839A
-	Ventilation Control	1319966A
-	Main Wiring Harness	1320330A
-	Wiring Harness Relay & Safety Holder	1320658A

FOR PETROL HEATER COMPONENTS, PLEASE REFER TO RELEVANT TECHNICAL SPARE PARTS HANDBOOK

Water Heating Systems

Thermo Pro 50 Eco 5.0kW Water Heater



Heater Technical Data (tolerance $\pm 10\%$)

			Diesel
ECE-Approval code	ECE R122 (Heater) ECE R10 (EMC)		E1 00 0334 E1 03 6271
Heat Output	Partial/Full Load	kW	2.5 / 5.0
Fuel Consumption	Partial/Full Load	kg/h	0.3 / 0.6
Rated Voltage		V	24
Rated Power Consumption with out circulation pump	Partial/Full Load	W	16 – 34
Fuel Type			Diesel EN590 PME EN 14214 up to 100% / Arctic Diesel / F34 / heating oil (EL)
Operating temperature range		°C	-40 to + 80
Dimensions (LxBxH)		mm	218 x 91 x 144
Weight		Kg	2.1

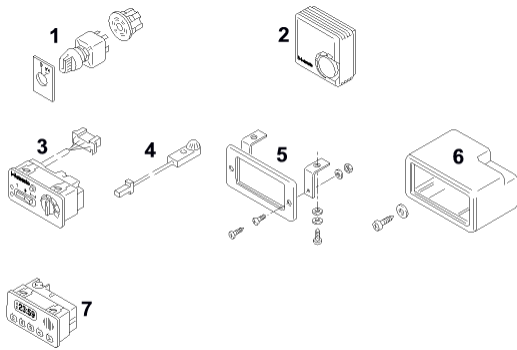
Heater Kits

Part No	Description
9026553A	Diesel Thermo Pro 50 Eco Base kit (includes heater, fuel pump & water pump) without operating control 24v
9026722A	Universal Installation kit for Thermo Pro 50 Eco (includes wiring harness, fuel tank extractor, exhaust, exhaust silencer, air intake silencer, water hoses, water connectors, heater bracket & mounting accessories)

Water Heating Systems

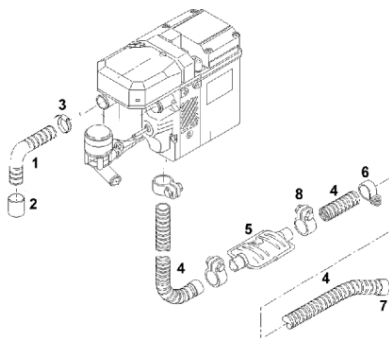
Thermo Pro 50 Eco / Thermo 50 Water Heater

Operating Controls



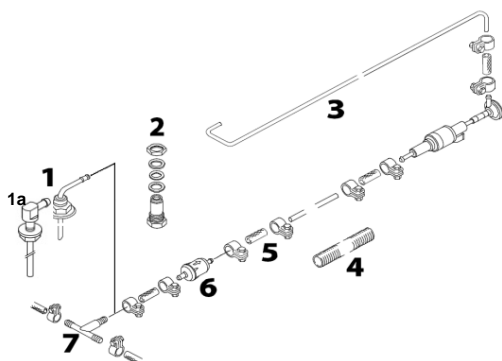
Item No	Description	Part No.
1	2 Position Switch 24v	109999
2	Room Thermostat Unswitched	1320587A
3	Room Thermostat Electrical	34875A
4	Room Thermostat Sensor	82356A
5	Timer Mounting Plate	474630
6	Timer Housing	475866
7	Digital Timer/Alarm 24v	1322636A

Combustion Air & Exhaust



Item No	Description	Part No.
1	Combustion Air Pipe 25mm	23298A
2	C/Air Pipe End Cap 25mm (MOQ 10 pcs)	1320257A
3	Hose Clip 20-27mm	9015918A
4	Flexible Exhaust 22mm (per m)	337390
5	Exhaust Silencer 22mm - Thermo 50	1320895A
Not shown	Exhaust Silencer 22mm - Thermo Pro 50 Eco	1300735B
6	P Clip 25mm	405256
7	Protection End Cap	318302
8	Exhaust Clamp 24-27mm	1320815A
Not Shown	Exhaust Lagging	41V0001
Not Shown	Cable Ties (S/Steel for Lagging)	4162441
Not Shown	Exhaust Adaptor 22-24mm	1320382A

Fuel Supply

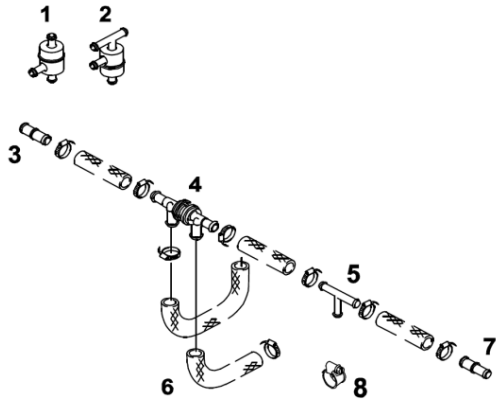


Item No	Description	Part No.
1	Fuel tank standpipe 650mm lg	1320399A
1a	Fuel tank standpipe low profile 495mm lg 8.5mm hole	41545017A
2	Tank Extractor 5mm	107762
3	Nylon fuel hose 2mm i.d. 5mm o.d.	483931
4	Heat protection hose GA-A 14.5 standard length 1m	15570A
5	Fuel hose connector (straight)	484032
6	Fuel Filter	1319466A
7	Fuel T Piece 6x5x6	1310349B
	Fuel T Piece 8x5x8	1320573A
	Fuel T Piece 12x5x12	1310352B
	Fuel T Piece 15x5x15	1310412A

Water Heating Systems

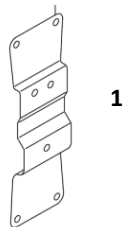
Thermo Pro 50 Eco / Thermo 50 Water Heater

Water System



Item No	Description	Part No.
1	Water thermostat 20/20/20	1320033A
2	Water thermostat 20/20/20/20	19872A
3	Connection pipe 20mm	1320342A
4	Non return valve 18/18/18/18 Non return valve 20/20/20/20 Non return valve 20/20/22/22	12780A 1319595A 87072A
5	T Piece 18/18/18 T Piece 20/20/20 T Piece (with ventilation) 18	355240 1319602A 1319219A
6	Formed Hose 180° Ends Di20 Da 27 2200 lg	1319631A
7	Connection tube 18x20	66908B
8	Hose Clamp 20-27mm	9015918A
Not Shown	19-19mm brass hose connector	41H0001
Not Shown	16-19 Dual T Piece	41K0020
Not Shown	15-20 Hose Adaptor (MOQ 10 pcs)	1321000A
Not Shown	5 litre plastic expansion tank kit	41K5210A

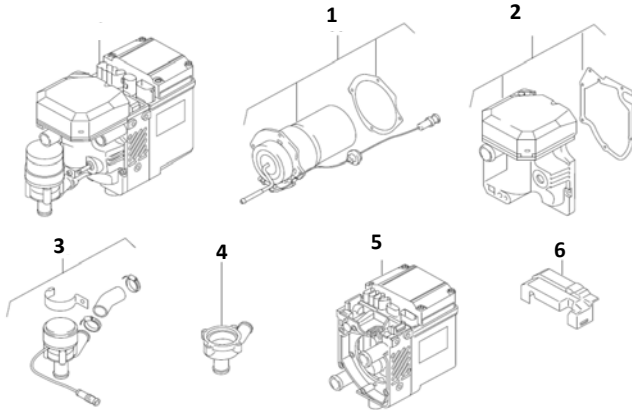
Mounting



Item No	Description	Part No.
1	Mounting Bracket – Thermo 50	67015A
Not Shown	Mounting Bracket – Thermo Pro 50 Eco	1321940A

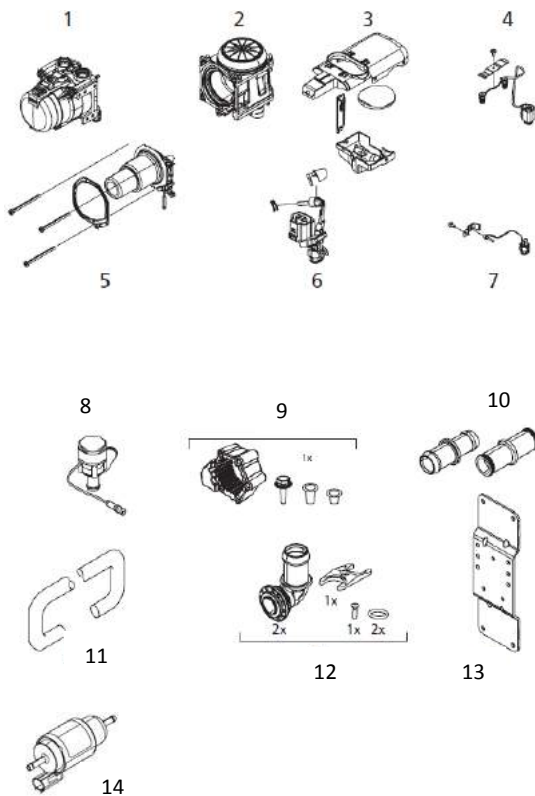
Water Heating Systems

Thermo 50 Water Heater Common Replacement Parts



Item No	Description	Part No
1	Burner (Diesel)	98234B
2	Combustion Air Fan 24v	98235B
3	Circulation Pump U4847 24v	98237B
4	Pump housing axial	1322702A
5	Burner head/heat exchanger/control unit 24v	98236D
6	Central end cover	1311100A
Not shown	Fuel Pump 24v	1322433A

Thermo Pro 50 Eco Water Heater Common Replacement Parts



Item No	Description	Part No
1	Heat Exchanger	1321655A
2	Blower	9027117B
3	Protective Cap	1316036A
4	Water Temperature Sensor	9021769A
5	Burner (including glowpin)	9026489A
6	Glowpin 24v	9026490A
7	Exhaust Temperature Sensor	9026491A
8	Circulating Pump U4847 24v	9028635A
9	Mounting Parts for Circulating Pump	9027035A
10	Connection Pipe & Hose Clamp	9024807A
11	Hose	1319631A
12	Water Socket	9026726A
13	Mounting Bracket	9026864A
14	Fuel Pump 24v DP42	9024803A
Not shown	Wiring Harness	1319967A

Water Heating Systems

Thermo Pro 90 9.1kW Water Heater



Technical Data (tolerance $\pm 10\%$)

			Diesel
Certification			Heater ECE R122 E1 00 0320 EMC ECE R10 E1 03 6196
Heat Performance	Control range/boost mode	kW	1.8 – 7.6 / 9.1
Fuel Consumption	Control range/boost mode	kg/h	0.2 – 0.9 / 1.1
Rated Voltage		V	12 / 24
Rated Power Consumption	Control range/boost mode	W	37 – 83 / 90
Fuel Type			Diesel EN590 / FAME according to DIN EN 14214 / heating oil (EL) according to DIN 51603-1 / NATO fuels F34, F58 and F63
Operating temperature range	With control unit	°C	-40 to + 125
Dimensions (LxWxH)	ECU to inlet con. Water pump	mm	382 x 131 x 232
Weight	With water pump	Kg	5.2

Vehicle Heater Kits

Please note that vehicle heater kits are only approved for vehicle applications. Webasto Thermo & Comfort UK will not honour any liability caused by fitment of a vehicle heater kit in any non-road vehicle application.

Part No	Description
9023075A	Diesel Thermo Pro 90 Base Heater with fuel pump without operating control 12v
9024620A	Universal Vehicle Installation Kit 12v for Thermo Pro 90
9023076A	Diesel Thermo Pro 90 Base Heater with fuel pump without operating control 24v
9024621A	Universal Vehicle Installation Kit 24v for Thermo Pro 90

Marine Heater Kits

Part No	Description
4111135B	Diesel Thermo 90 Pro Marine heater kit 12v
4111185D	Diesel Thermo 90 Pro Marine heater kit 24v

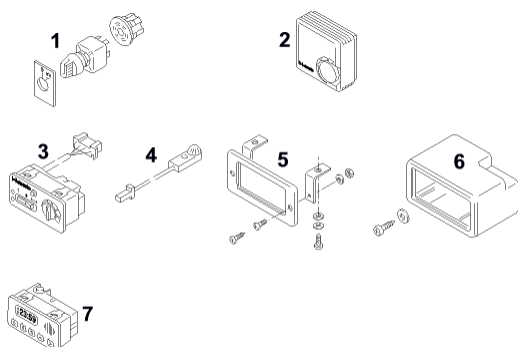
Motorhome Heater Kits

Due to the diverse nature of installation requirements, please contact the Webasto Sales Team for pricing and application to suit your exact needs.

Water Heating Systems

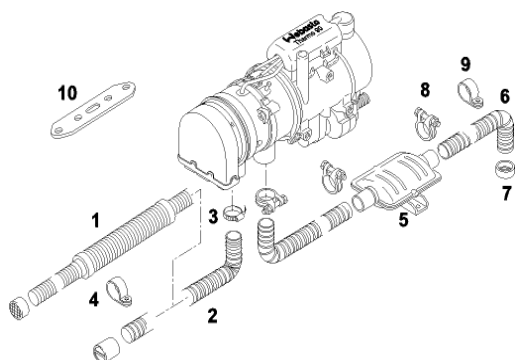
Thermo Pro 90 / ST / S Water Heaters

Operating Controls



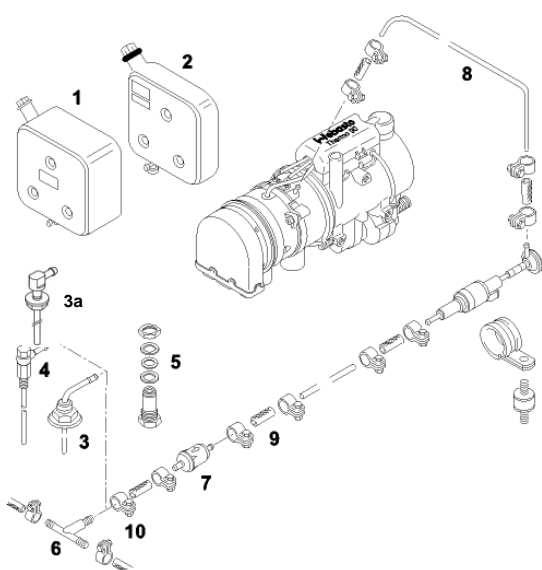
Item No	Description	Part No.
1	2 Position Switch 12v	109995
	2 Position Switch 24v	109999
2	Room Thermostat Unswitched	1320587A
3	Room Thermostat Electrical	34875A
4	Room Thermostat Sensor	82356A
5	Timer Mounting Plate	474630
6	Timer Housing	475866
7	Digital Timer/Alarm 12v	88204A
	Digital Timer/Alarm 24v	1322636A
Not Shown	Marine 7 day programmable timer 12v	4110557A
Not Shown	Thermo Call (operation via smartphone)	7100350D
Not Shown	SmartController & MultiController	See Page 76

Combustion Air & Exhaust



Item No	Description	Part No.
1	Intake Silencer Pipe	1320823A
2	Combustion Air Hose 30mm	1321557A
3	Hose Clip 20-32mm	4162427
4	P Clip 34mm	21499A
Not Shown	Combustion Air Hose End Cap 30mm	1320258A
5	Exhaust Silencer	1320840A
6	Exhaust 38mm (S/Steel per m)	353221
7	Exhaust End Cap	1320108A
8	Exhaust Clamp 38mm	1320194A
9	P Clip 42mm	1319693A
10	Mounting Strip (MOQ 10 pcs)	9007918A
Not Shown	Exhaust Lagging	4152601
Not Shown	S/Steel Cable Ties (for exhaust lagging)	4162441
Not Shown	Exhaust skin fitting 38mm	1319428A

Fuel Supply

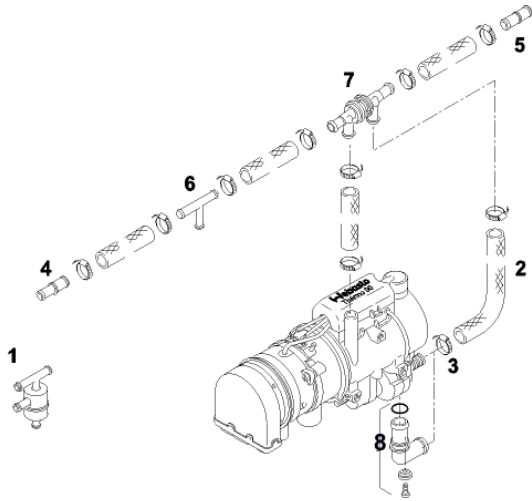


Item No	Description	Part No.
1	Plastic Fuel Tank 24 litres	1322531A
2	Plastic Fuel Tank 12 litres (no fittings)	9024224B
Not Shown	Fitting kit for 12l fuel tank	9025761A
3	Fuel Tank Standpipe 650mm lg	1320399A
3a	Fuel Tank Standpipe low profile 495mm lg 8.5mm hole	41S45017A
4	Fuel Tank Extractor	1300823C
5	Fuel T Piece 6 x 5 x 6	107762
	Fuel T Piece 8 x 5 x 8	1310349B
	Fuel T Piece 12 x 5 x 12	1320573A
	Fuel T Piece 15 x 5 x 15	1310352B
	(for plastic versions please refer to Thermo Top C accessories)	1310412A
6	Fuel Filter	1319466A
7	Nylon Fuel Hose 2mm id 5mm od per m	483931
Not Shown	Nylon Fuel Hose 2mm i.d. 5mm od 8m length	4157900
8	Fuel Pipe Connector (Straight)	484032
9	Fuel Hose Clip 10mm	330027
Not Shown	Fuel Pump Harness	90216B
Not Shown	Fuel Pipe Connector 90°	1320134A
Not Shown	Fuel Cut Off Kit (Switch Type)	4112369A
Not Shown	Fuel Cut Off Kit (Tap Type)	4111812A
Not Shown	Fuel Filter and stop tap kit	4110766A
Not Shown	Marine fuel hose 5mm ISO7840 (per m)	4158400
Not Shown	Hose clips stainless steel 8-12mm	41S05037A
Not Shown	Marine Fuel Pump Insulation Jacket	41S85022A

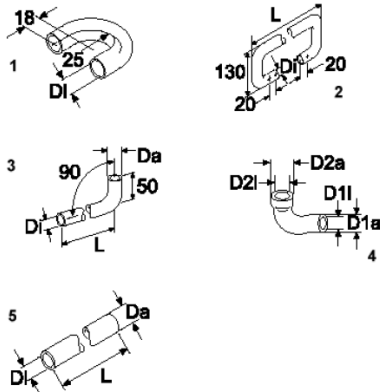
Water Heating Systems

Thermo Pro 90 / ST / S Water Heaters

Water System

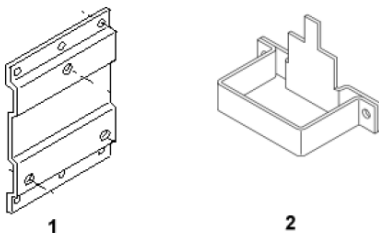


Item No	Description	Part No.
1	Thermostat Valve 20mm	19872A
2	Hose 20mm/ 2.2m lg	1319631A
3	Hose Clamp 20-27mm	9015918A
4	Connecting Tube 18 x 20	66908B
5	Connecting Tube 20 x 20	1320342A
6	T Pieces: 15mm 20 x 15mm 20mm	138207 138223 1319602A
7	Check Valve 20mm	1319595A
8	Elbow	22524B
Not Shown	19-19mm brass hose connector	41H0001
Not Shown	16-19 Dual T Piece	41K0020
Not Shown	15-20 Hose Adaptor (MOQ 10 pcs)	1321000A
Not Shown	5 litre plastic expansion tank kit	41K5210A



Item No	Description	Part No.
1	Formed Hose 180° Di20 Da27	29938A
2	Formed Hose 180° Ends Di20 Da 27 2200 lg	1319631A
3	Formed Hose Di15 Da 22 1020 lg Di22 Da 29 1020 lg	248371 21488A
4	Formed Hose D1i 15/D1a22; D2i 18/D2a 25	403482
5	Straight Hose Di 15/Da22 2750mm lg	406074
Not shown	Coolant Hose (sold as a 15m roll) 15mm-5/8" i.d. 16mm-5/8" i.d. 19mm-3/4" i.d.	41S30013A 4157515 41G0049

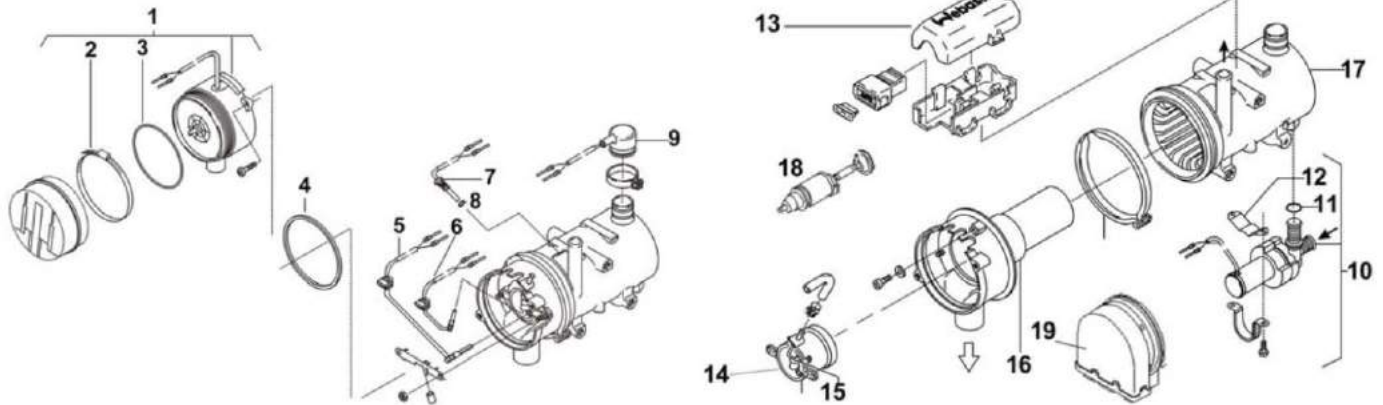
Mounting



Item No	Description	Part No.
1	Universal Mounting Plate	20583A
2	Control Box Mounting Holder T90S	88746D

Water Heating Systems

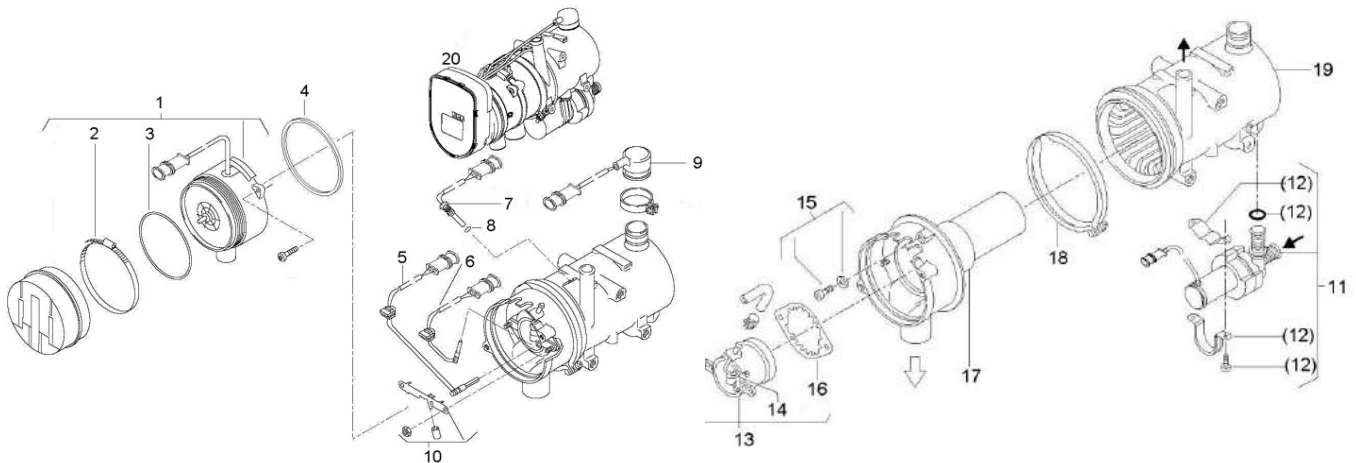
Thermo 90 S Water Heater Common Replacement Parts



Item No	Description	Part No.
1	Combustion Air Fan 12v Combustion Air Fan 24v	90214A 90215B
2	Hose Clamp	139653
3 + 4	Gasket Ring	1322875A
5	Flame Detector	1322410A
6	Glowpin 12v Glowpin 24v	1322434A 1322412A
7	Temperature Sensor	1319653A
8	Gasket Ring	1320049A
9	Overheat Protection	1319651A
10	Water Pump 12v Water Pump 24v	86568A 1322824A
11	Gasket Ring	1321046A
12	Water Pump Mounting Bracket	86252A
13	Protection Cap	38641C
14	Burner Cartridge (Standard Heater) Diesel	1322584A
15	Gasket Ring	83230A
16	Burner Tube	1322847A
17	Heat Exchanger (U4846 pump)	1317521A
18	Fuel Pump 12v Fuel Pump 24v	1322440A 1322433A
19	Control Unit 12v Control Unit 24v	9025599A 89093E
Not Shown	Harness – Heater to Control Box	1320951A
Not Shown	Harness – Control Box to Switch	1320952A
Not Shown	Thermo 90 / S 12v Service Kit (contains Burner with glowpin, flame detector & gasket set) – Diesel Only	4111828A
Not Shown	Thermo 90 / S 24v Service Kit (contains Burner with glowpin, flame detector & gasket set) – Diesel Only	4111829A

Water Heating Systems

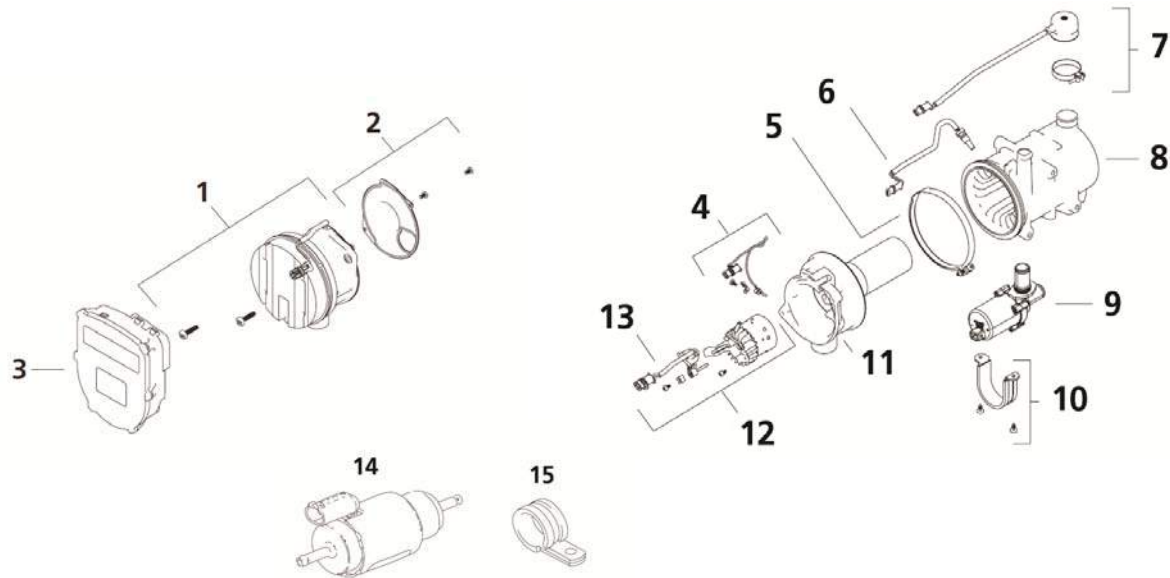
Thermo 90 ST Water Heater Common Replacement Parts



Item No	Description	Part No.
1	Combustion Air Fan 12v Combustion Air Fan 24v	9010622A 9010621A
2	Hose Clamp	139653
3 + 4	Gasket Ring	1322875A
5	Flame Detector	9010617B
6	Glowpin 12v Glowpin 24v	9010615B 1322644C
7	Temperature Sensor	9010620A
8	Gasket Ring	9011519A
9	Overheat Protection	9010616A
10	Taptite Self Tapping Screw Set	9011518A
11	Water Pump U4846 12v Water Pump U4846 24v	9010619A 9010618A
12	Mounting Parts Set—U4846 Pump	9011521A
13	Burner Cartridge Diesel	1322584A
14	Gasket Ring	83230A
15	Mounting Parts Set for Burner Head	9011520A
16	Inlet Guide Plate	32151B
17	Burner Tube	1322847A
18	Tightening Clamp	1322856A
19	Heat Exchanger (U4846 pump)	1317521A
20	Control Unit SG1577 12v Control Unit SG1577 24v	9011398A 9011399A
Not Shown	Fuel Pump 12v Fuel Pump 24v	1322440A 1322433A
Not Shown	Thermo 90 ST 12v Service Kit (contains Burner with glowpin, flame detector & gasket set) – Diesel Only Thermo 90 ST 24v Service Kit (contains Burner with glowpin, flame detector & gasket set) – Diesel Only	4111830A 4111831A

Water Heating Systems

Thermo Pro 90 Water Heater Common Replacement Parts



Item No	Description	Part No.
1	Combustion Air Fan 12v Combustion Air Fan 24v	1317514A 1317513B
2	Seal	9026176A
3	Control Unit (ECU) 12v (SG1577-E3.6) Control Unit (ECU) 24v (SG1577-E3.6)	1318925A 1318926A
4	Exhaust Temperature Sensor	1317520A
5	Clamp	1322856A
6	Temperature Sensor	9010620A
7	Overheat Protection	9010616A
8	Heat Exchanger	1317521A
9	Water Pump 12v (U4840) Water Pump 24v (U4840)	1317523A 1317522A
10	Mounting Part kit for Water Pump	9026075A
11	Burner Tube	1317515A
12	Burner 12v (including Glow pin) Burner 24v (including Glow pin)	1317517A 1317516A
13	Glow pin 12v Glow pin 24v	1317519A 1317518A
Not Shown	Water Pump Wiring Harness U4840	1318928A
14	Dosing Pump DP 42 (12v/24v)	9026177A
15	P Clip	21499A

Water Heating Systems

DBW2010 13kW / DBW 2016 16kW Water Heaters



Technical Data (tolerance ±10%)			DBW2010	DBW2016
EG-Type Approval code			e1*2001/56*2004*78*0001	e1*2001/56*2004*78*0001
Heat Performance	Control range	kW	13.1	16
Fuel Consumption	Control range	kg/h	1.3	1.5
Rated Voltage		V	12 / 24	12 / 24
Rated Power Consumption	Control range	W	60	90
Fuel Type			Diesel EN590 (B5) / heating oil (EL)	Diesel EN590 (B5) / heating oil (EL)
Operating temperature range		°C	-40 to +80	-40 to +80
Dimensions (LxBxH)		mm	564 x 205 x 228	564 x 205 x 228
Weight		Kg	14.5	14.5

Vehicle Heater Kits

Part No	Description
9023677A	Diesel DBW 2010 Heater with 2 position switch & switch plate 12v
9023679A	Diesel DBW 2010 Heater with 2 position switch & switch plate 24v
9012936A	Diesel DBW 2016 Heater with 2 position switch & switch plate 12v
9012935A	Diesel DBW 2016 Heater with 2 position switch & switch plate 24v

Water Heating Systems

DBW2010 11.6kW / DBW 2016 16kW

Water Station



Technical Data (tolerance ±10%)			DBW 2010	DBW 2016
EG-Type Approval code			e1*2001/56*2004/78*0006_	e1*2001/56*2004/78*0006_
Heat Performance	Full Load	kW	11.6	16
Fuel Consumption	Control Range	l/h	1.3 (1.5)	1.6 (1.9)
Rated Voltage		V	24	24
Rated Power Consumption with circulation pump	Full Load (without ventilation)	W	125	120
Fuel Type			Diesel	Diesel
Dimensions (LxBxH)		mm	800 x 520 x 270	800 x 520 x 270
Weight		Kg	38	38

The Marine water stations are professional solutions, designed to be used everyday, in every area and under all circumstances. The water stations have compact dimensions in all capacities (11.6kW to 35kW) and come with brackets for floor or wall mounting. The units are assembled on a stainless steel tray, fitted in a modern enclosure and operate very quietly. **Please note that due to the specialist nature of these products, pricing will be provided upon application.**

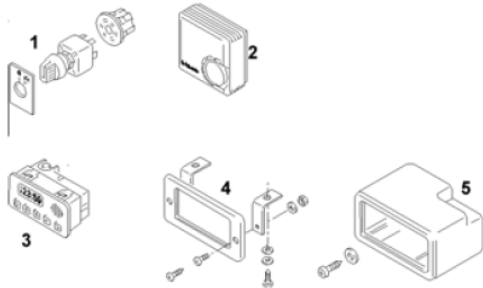
Part No	Description
3391619A	Diesel DBW2010 12v – C
3391622A	Diesel DBW2010 24v – C
3391617A	Diesel DBW2010 12v – CH
3391620A	Diesel DBW2010 24v – CH
3391618A	Diesel DBW2010 12v – BC
3391621A	Diesel DBW2010 24v – BC
3391625A	Diesel DBW2016 12v – C
3391628A	Diesel DBW2016 24v – C
3391623A	Diesel DBW2016 12v – CH
3391626A	Diesel DBW2016 24v – CH
3391624A	Diesel DBW2016 12v – BC
3391627A	Diesel DBW2016 24v – BC
3391823A	Diesel DBW2016 12v – T
3391824A	Diesel DBW2016 24v – T

C = Chiller integration, for integration in Blue Cool chiller systems; CH = Central heating unit will supply hot water to radiators and/or blower boxes with fan; BC = Central heating and heating up domestic water in Webasto boiler, automatically controlled; T = Central heating and heating up domestic water through plate heat exchanger, automatically controlled

Water Heating Systems

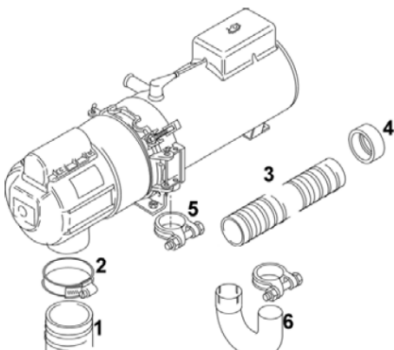
DBW2010 / DBW 2016 Water Heaters

Operating Controls



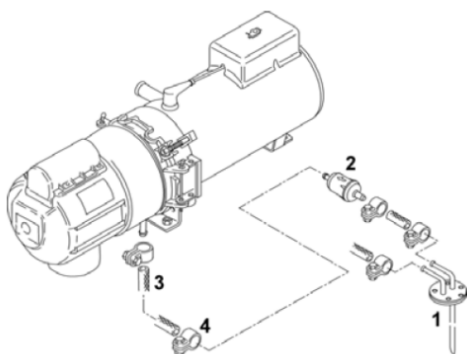
Item No	Description	Part No.
1	2 Position Switch 12v 2 Position Switch 24v	109995 109999
2	Room Thermostat Unswitched	1320587A
3	Digital Timer 12v Digital Timer 24v	88204A 1322636A
4	Timer Mounting Plate	474630
5	Timer Housing	475866
Not Shown	SmartController & MultiController	See Page 76

Combustion Air & Exhaust



Item No	Description	Part No.
1	Flexible Hose 80mm	398519
2	Hose Clip 90mm	139610
3	Exhaust 38mm (S/Steel per m)	353221
4	Exhaust End Cap	1320108A
5	Exhaust Clamp 38mm	1320194A
6	Exhaust Elbow 180° 38mm	370169
Not Shown	Exhaust Lagging	4152601
Not Shown	S/Steel Cable Ties (for exhaust lagging)	4162441

Fuel Supply

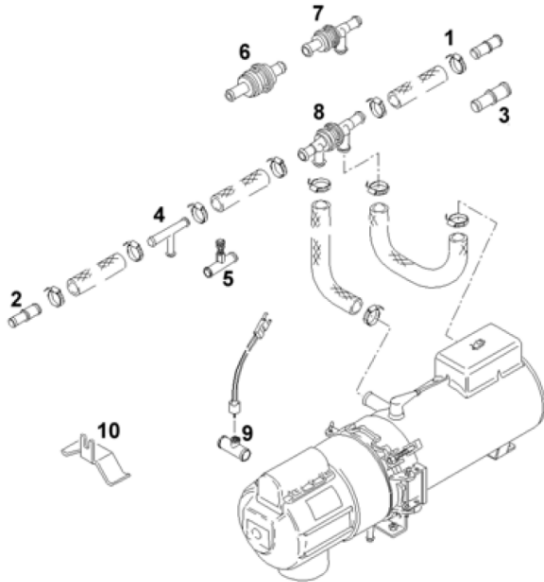


Item No	Description	Part No.
1	Fuel Standpipe – Twin Outlet	4154301
2	Fuel Filter	140724
3	Fuel Hose Braided Rubber 5mm i.d. 10mm o.d.	370177
4	Hose Clip 10mm	330027
Not Shown	Hose Clip 8mm	1320244A
Not Shown	Hose Clip 12mm	379670
Not Shown	Fuel Pipe Nylon 6mm id 8mm o.d.	4152400
Not Shown	Fuel Pipe Connector 8mm id	1322451A

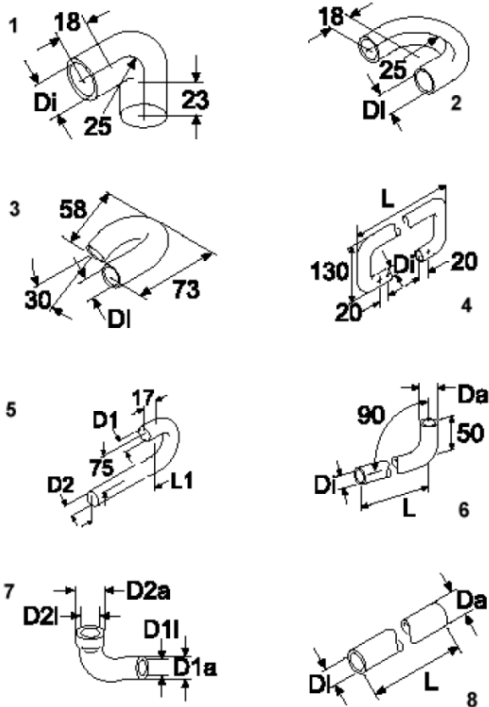
Water Heating Systems

DBW2010 / DBW 2016 Water Heaters

Water System



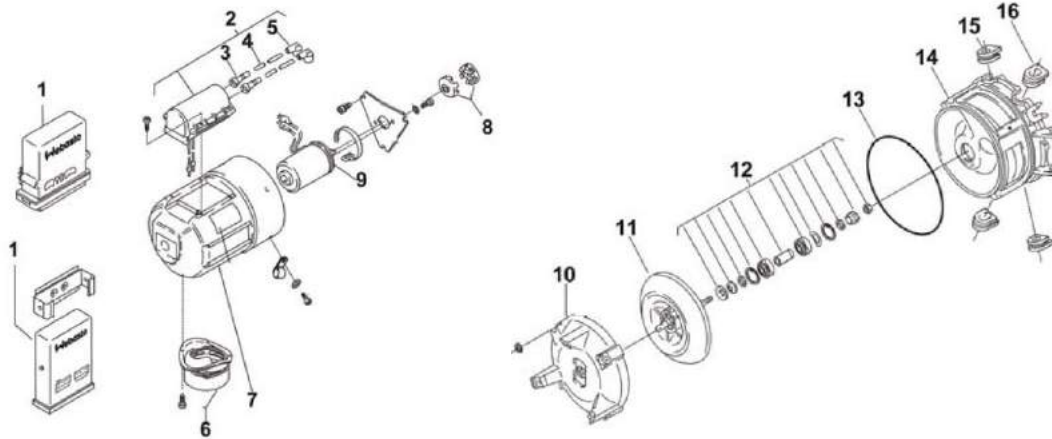
Item No	Description	Part No.
1	Hose Clamp 20-27mm	9015918A
2	Connecting Tube 18 x 20	66908B
3	Connecting Tube 18 x 22	1320155A
4	T Piece 18mm (other T Pieces available upon request)	355240
5	In line Bleed Valve 18mm	1319219A
6	One Way Valve 18mm no junction	109557
7	One Way Valve Single T 18mm	12785B
8	One Way Valve Double T 18mm	1319485A
9	T Piece 18mm	111550
10	U Support Bracket	1319688A
Other Connectors & Valves available upon request		



Item No	Description	Part No.
1	Formed Hose 90° Di 18/Da 25	431397
2	Formed Hose 180° Di 18/Da 25	403474
3	Formed Hose Di 18/Da 25	431400
4	Formed Hose 180° Di 18/Da 25 2200mm lg Di 18/Da 25 3000mm lg	1319455A 105698
5	Formed Hose Di 18/Da 25 576 lg	436267
6	Formed Hose 1020mm lg Di 15/Da 22 Di 18/Da 27 Di 22/Da 29	248371 436259 21488A
7	Formed Hose D1i 15/D1a 22; D2i 18/D2a 25	403482
8	Straight Hose Di 15/Da 22 Di 18/Da 27	406074 369136
Not Shown	Coolant Hose (sold as a 15m roll) 15mm-5/8" i.d. 16mm-5/8" i.d. 19mm-3/4" i.d.	41S30013A 4157515 41G0049

Water Heating Systems

DBW2010 Water Heater Common Replacement Parts Non Sensoric & Sensoric

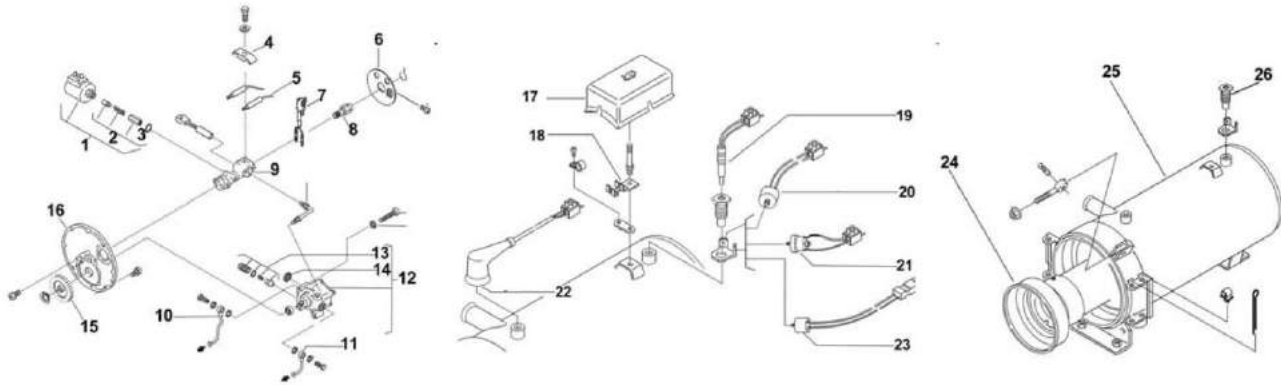


Item No	Description	Part No.
1	Control Unit 12v (Non Sensoric) Control Unit 24v (Non Sensoric)	9023417A 9023418A
	Control Unit 24v (Sensoric)	89576C
2	Electronic Ignition Unit 12v Electronic Ignition Unit 24v	101838 1319242A
3	Socket	404918
4	High Tension Ignition Cable	1321683B
5	Electrode Plug	1319297A
6	Combustion Air Intake Socket 80dia.	1320544A
7	Protection Hood	436216
8	Clutch Half (2 required)	350516
9	Motor 12v Motor 24v	9023885A 9023886A
10	Motor Support	301841
11	Impellor & Shaft	373001
12	Parts Kit for Mounting Shaft	378313
13	Gasket Ring	1320047A
14	Blower Casing	22567B
15	Rubber Grommet LH	298964
16	Rubber Grommet RH	1321018A
Not Shown	Water Pump 12v U4810 (pump only)	458384
Not Shown	Water Pump 24v U4810 (pump only)	458392

For DBW 2016 spares, please refer to spare parts manual

Water Heating Systems

DBW2010 Water Heater Common Replacement Parts Non Sensoric Only

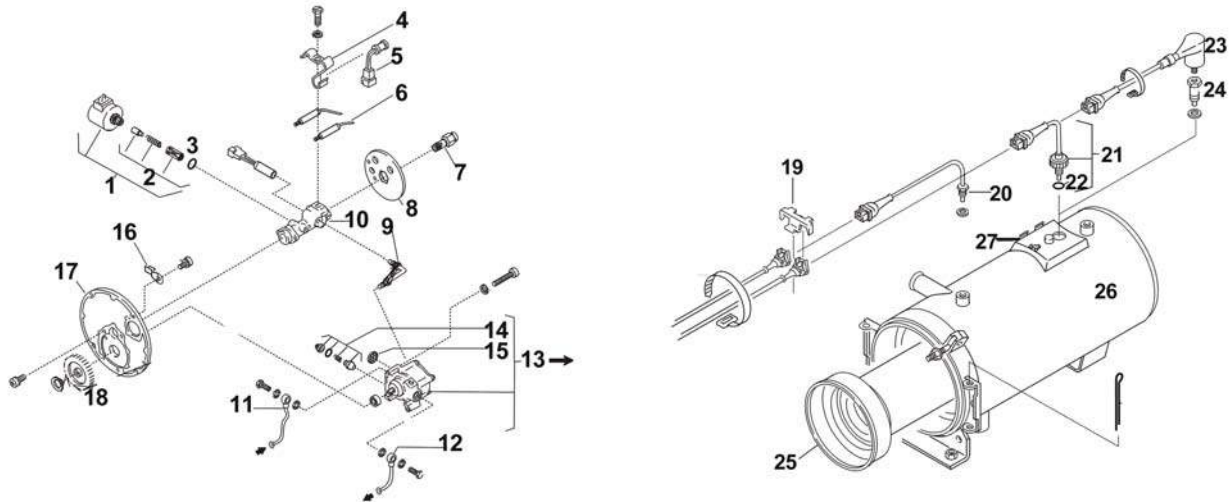


Item No	Description	Part No.
1	Magnetic Coil 12v Magnetic Coil 24v	1319359A 1319360A
2	Small Parts Kit for Magnetic Coil	1319389A
3	Gasket Ring	1321116A
4	Electrode Clamp	278971
5	Ignition Electrode (Sold as a Packof2)	1320801B
6	Washer	88771A
7	Flame Detection Photocell	1319302A
8	High Pressure Nozzle 10 Bar High Pressure Nozzle 7 Bar	384852 1319513A
9	Nozzle Holder	412198
10	Fuel Supply Line	111372
11	Fuel Return Line	345288
12	Fuel Pump 7 Bar	66546A
13	Pressure Control Valve	1320547A
14	Filter	1319357A
15	Straight Spur Gear	1320041A
16	Nozzle Holder Plate	103512
17	Protection Cap	487627
18	Connector Clip	273473
19	Overheat Fuse (Brown Cable) 122° Overheat Fuse (Yellow Cable) 138°	404489 1319406A
20	Control Thermostat (Green/Red Cable) 75°	1320251A
21	Overheat Protection (Green Cable) 117°	1319410A
22	Control Thermostat (Green/Red Cable) 75°	41267B
23	Blower Thermostat (Blue/Brown Cable) 40°	454443
24	Combustion Chamber	26553A
25	Heat Exchanger Downward Exhaust Heat Exchanger Curved Water Inlet Pipe Socket	415073 411442
26	Locking Screw Fitting	279110
Not Shown	Wiring harness non sensoric	360422

For DBW 2016 spares, please refer to spare parts manual

Water Heating Systems

DBW2010 Water Heater Common Replacement Parts Sensoric Only



Item No	Description	Part No.
1	Magnetic Coil 12v Magnetic Coil 24v	1319359A 1319360A
2	Small Parts Kit for Magnetic Coil	1319389A
3	Gasket Ring	1321116A
4	Support Bracket	481696
5	Flame Detection Photocell	116420
6	Ignition Electrode (Sold as a Pack of 2)	1320801B
7	High Pressure Nozzle	1319513A
8	Washer	88772A
9	Pressure Pipe	65433A
10	Nozzle Holder	412198
11	Fuel Supply Line	111372
12	Fuel Return Line	345288
13	Fuel Pump	66546A
14	Pressure Control Valve	1320547A
15	Filter	1319357A
16	Cable Clamp	482536
17	Nozzle Holder Plate	103512
18	Straight Spur Gear	1320041A
19	Connector Plug Clip	100396
20	Control Thermostat	106123
21	Overheat Fuse 138°C	1319480A
22	Gasket Ring	1320049A
23	Overheat Protection 117°C	116523
24	Adaptor Fitting	118048
25	Combustion Chamber	26553A
26	Heat Exchanger (Downward Exhaust)	105748
27	Console	20759A
Not Shown	Wiring Harness – Sensoric	15706B

Water Heating Systems

Thermo 230 23kW / Thermo 300 30kW

Thermo 350 35kW Water Heaters



Technical Data (tolerance ±10%)			Thermo 230	Thermo 300	Thermo 350
EG-Type Approval code			e1*2001/56*2004*78 *0007*--	e1*2001/56*2004*78 *0008*--	e1*2001/56*2004*78 *0009*--
Heat Performance	Control range	kW	23	30	35
Fuel Consumption	Control range	kg/h	2.5	3.3	3.7
Rated Voltage		V	24	24	24
Rated Power Consumption (without pump)	Control range	W	65	110	140
Fuel Type			Diesel / heating oil (EL)	Diesel / heating oil (EL)	Diesel / heating oil (EL)
Operating temperature range		°C	-40 to + 80	-40 to + 80	-40 to + 80
Dimensions (LxBxH)		mm	610 x 246 x 220	610 x 246 x 220	610 x 246 x 220
Weight		Kg	19	19	19

Vehicle Heater Kits

Part No	Description
85312B	Diesel Thermo 230 Heater with fuel filter, 2 position switch & switch plate 24v
85313B	Diesel Thermo 300 Heater with fuel filter, 2 position switch & switch plate 24v
411645	Diesel Thermo 300 Heater pre-boxed with U4814 water pump (requires operating device – see operating controls section)
85314C	Diesel Thermo 350 Heater with fuel filter, 2 position switch & switch plate 24v

Water Heating Systems

Thermo 230 / 300 / 350 Water station



Technical Data (tolerance $\pm 10\%$)			Thermo 230	Thermo 300	Thermo 350
EG-Type Approval code			e1*2001/56*2004/78 *0007_	e1*2001/56*2004/78 *0008_	e1*2001/56*2004/78 *0009_
Heat Performance	Full Load	kW	23	30	35
Fuel Consumption	Control Range / Plus*	Kg/h	2.5	3.3	3.7
Rated Voltage		V	24	24	24
Rated Power Consumption without circulation pump		W	190	235	265
Fuel Type			Diesel EN 590 / heating oil (EL)	Diesel EN 590 / heating oil (EL)	Diesel EN 590 / heating oil (EL)
Dimensions (LxBxH)		mm	800 x 520 x 270	800 x 520 x 270	800 x 520 x 270
Weight		Kg	44 (C, CH) 48 (T)	44 (C, CH) 48 (T)	44 (C, CH) 48 (T)

The Marine water stations are professional solutions, designed to be used everyday, in every area and under all circumstances. The water stations have compact dimensions in all capacities (11.6kW to 35kW) and are assembled in a stainless steel tray, fitted in a noise-insulated plastic enclosure and operate very quietly. All systems have a winter mode with freeze protection (230v / 750W).

Please note that due to the specialist nature of these products, pricing will be provided upon application.

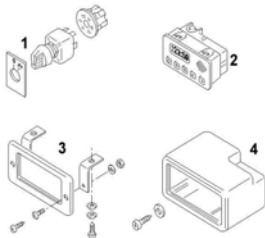
Part No	Description
3391631A	Diesel Thermo 230 24v – C
3391630A	Diesel Thermo 230 24v – T
3391629A	Diesel Thermo 230 24v – CH
3391634A	Diesel Thermo 300 24v – C
3391633A	Diesel Thermo 300 24v – CH
3391825A	Diesel Thermo 300 24v – T
3391636A	Diesel Thermo 350 24v – C
3391635A	Diesel Thermo 350 24v – CH

C = Chiller integration, for integration in Blue Cool chiller systems; CH = Central heating unit will supply hot water to radiators and/or blower boxes with fan; T = Central heating and heating up domestic water through plate heat exchanger, automatically controlled

Water Heating Systems

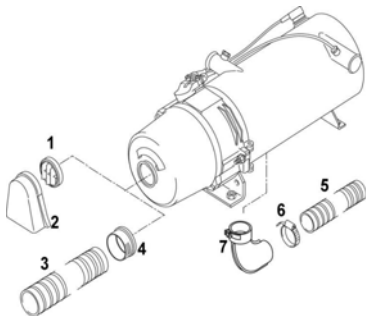
Thermo 230 / Thermo 300 / Thermo 350 Water Heaters

Operating Controls



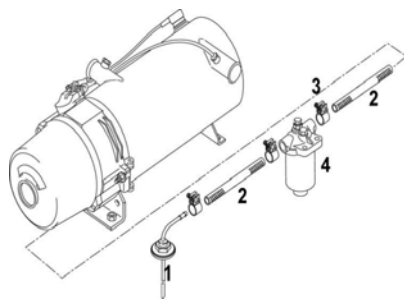
Item No	Description	Part No.
1	2 Position Switch 24v	109999
2	Digital Timer 24v	1322636A
3	Timer Mounting Plate	474630
4	Timer Housing	475866
Not Shown	Timer Installation Module for use with heater kit 411645. Includes 24v hour digital timer, fuel cut off switch and exhaust pipe	411286
Not Shown	Switch Installation Module for use with heater kit 411645. Includes operating switch, fuel cut off switch and exhaust pipe	411287
Not Shown	SmartController & MultiController	See Page 76

Combustion Air & Exhaust



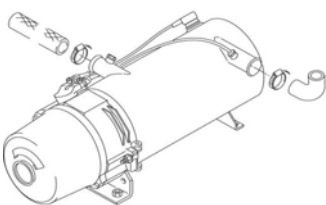
Item No	Description	Part No.
1	Grid	1320102A
2	Hose Protection Guard	1320101A
3	Flexible Pipe 55mm – per m	441376
4	Connector Pipe 55mm	101377
5	Flexible Exhaust (S/Steel) 70mm	479721
6	Exhaust Clamp 68-71mm	4162415
7	Exhaust Elbow with spigot 90° 70mm	1319441A
Not Shown	Exhaust Elbow 90° 70mm	1319439A
Not Shown	Exhaust End Cap 70mm	1319619A
Not Shown	Exhaust U Clamp 71mm	4168105
Not Shown	Exhaust Clamp 71mm	4162415

Fuel Supply



Item No	Description	Part No.
1	Fuel Standpipe – Twin Outlet	4154301
2	Fuel Hose Braided Rubber 5mm i.d. 10mm o.d.	370177
3	Hose Clip 10mm	330027
4	Fuel Filter (Complete)	1319291A
Not Shown	Fuel Filter Element	1320031A
Not Shown	Fuel Filter Gasket	1319706A
Not Shown	Fuel Filter Clip 8mm	1320244A
Not Shown	Hose Clip 12mm	379670
Not Shown	Fuel Pipe Nylon 6mm id 8mm o.d.	4152400
Not Shown	Fuel Pipe Connector 8mm id	462535
Not Shown	Fuel Tap with lever ¼	4131501
Not Shown	¼ BSP T Handle Ball Valve	4131506
Not Shown	Hosetail 5mm	4185700

Water System



Item No	Description	Part No.
Not Shown	Water Hose 38mm 1000lg	4152005
Not Shown	Elbow 38mm 90°	1320927A
Not Shown	Elbow 38mm 90° 130mm leg	4152007
Not Shown	Elbow 38/35mm 90°	4152001
Not Shown	Elbow 35mm 90°	4152002
Not Shown	Reducer 38-35mm	4152000
Not Shown	Hose Clip 40-55mm	139688
Not Shown	Elbow 38/19 90°	4152004
Not Shown	Reducer 38/19	4152003

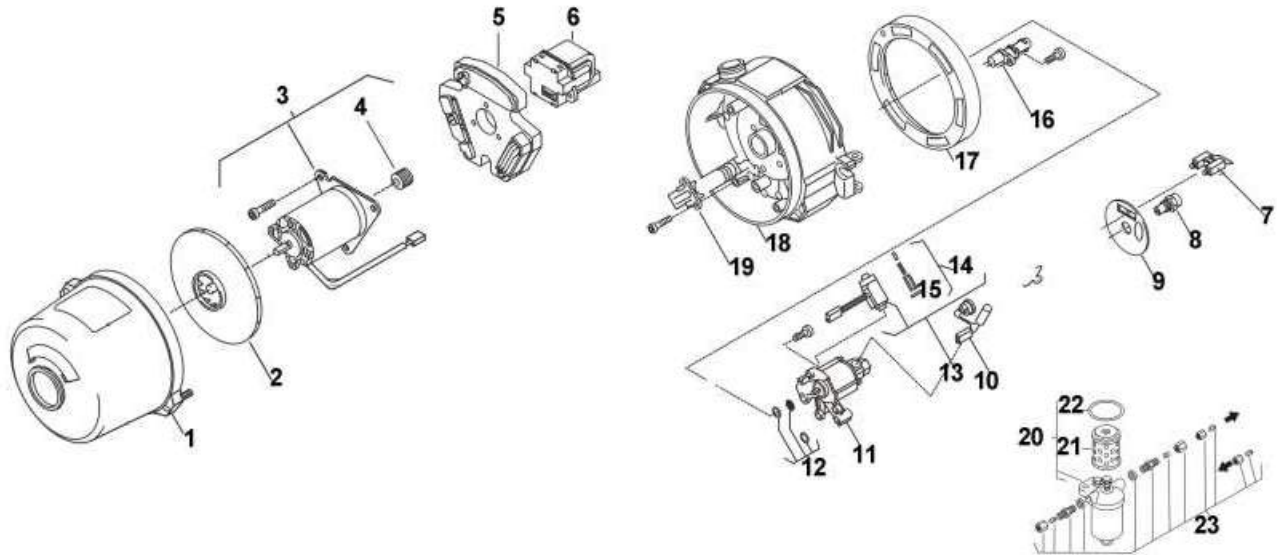
Various water valves and connectors are available upon request

Water Heating Systems

Thermo 230 / Thermo 300 / Thermo 350

Water Heaters

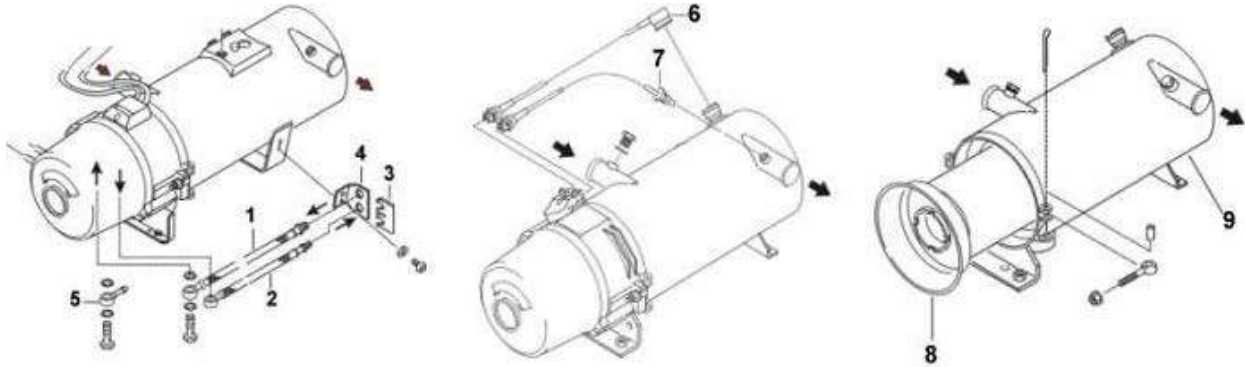
Common Replacement Parts



Item No	Description	Heater Model	Part No.
Not Shown	Replacement Burner Replacement Burner Replacement Burner	Thermo 230 Thermo 300 Thermo 350	65475A 1320409A 65477A
1	Hood	All	1320318A
2	Fan Rotor	All	1320583A
3	Drive Assembly 24v Drive Assembly 24v Drive Assembly 24v	Thermo 230 Thermo 300 Thermo 350	11117374A 1319991B 21319B
4	Clutch	All	1321022A
5	Electronic Control Unit 24v SG1572D	All	1320405A
6	Electronic Ignition Unit 24v	All	1320252A
7	Ignition Electrode	All	1319545A
8	High Pressure Nozzle High Pressure Nozzle High Pressure Nozzle	Thermo 230 Thermo 300 Thermo 350	1319452A 1319453A 1319451A
9	Washer	All	1320181A
10	Heating Element c/w Thermostat	All	1320444A
11	Fuel Pump	All	9810200A
12	Parts Kit for Fuel Pump	All	1322637A
13	Magnetic Coil 24v	All	1319616A
14	Parts Kit for Magnetic Coil	All	1319389A
15	Gasket Ring	All	1321116A
16	Flame Detector Photocell	All	1320504A
17	Adjusting Ring	All	1319599A
18	Housing	All	1320006A
19	Core Grip (2 Required)	All	20512B
20	Fuel Filter	All	1319291A
21	Strainer	All	1320031A
22	Gasket Ring	All	1319706A
23	Parts Kit for Filter	All	219495

Water Heating Systems

Thermo 230 / Thermo 300 / Thermo 350 Water Heaters Common Replacement Parts



Item No	Description	Heater Model	Part No.
1	Fuel Supply Line	All	1319730A
2	Fuel Return Line	All	82235B
3	Clamp	Thermo 300	362115
4	Hose Support	Thermo 300	463027
5	Banjo Bolt (2 required)	All	1320868A
6	Overheat Protection (Blue) 120°C	All	SPH82823D
7	Temperature Sensor	All	1319548A
8	Combustion Chamber	All	1322219A
9	Heat Exchanger	All	9810040A

Integrated Heating Systems

Dual Top RHA



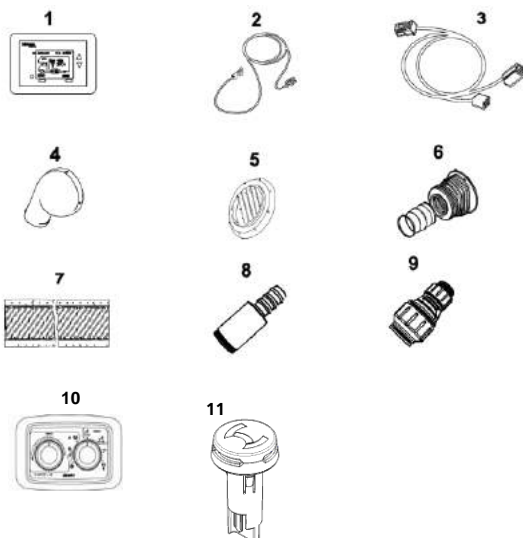
Technical Data (tolerance $\pm 10\%$)

			RHA 100 / RHA 101 / RHA 102
EG-Type Approval code	Heater EMC		e1 00 0195 e1 03 5000
Power Output	Diesel Electrical	kW kW	1.5 – 6.0 RHA101 0.6 – 1.2 / RHA 102 1.0 – 2.0
Fuel Consumption	Control Range	kg/h	0.1 – 0.6
Rated Voltage		V	12
Rated Power Consumption	Control Range	W	15 – 65
Heating Air Flow (against 0.5m/bar)		m ³ /h	200
Fuel Type			Diesel EN 590
Operating temperature range		°C	-30 to +50
Dimensions (LxBxH)		mm	530 x 352 x 256
Weight		Kg	20 / 21 / 21
Boiler capacity		l	11
Maximum pressure plumbing water		Bar	3.5

Heater Kits

These kits are available as an authorised dealer supply & fit service only. Due to the specialist nature of the installation requirements, please contact the RV Sales Team for further details and pricing on 01302 381118.

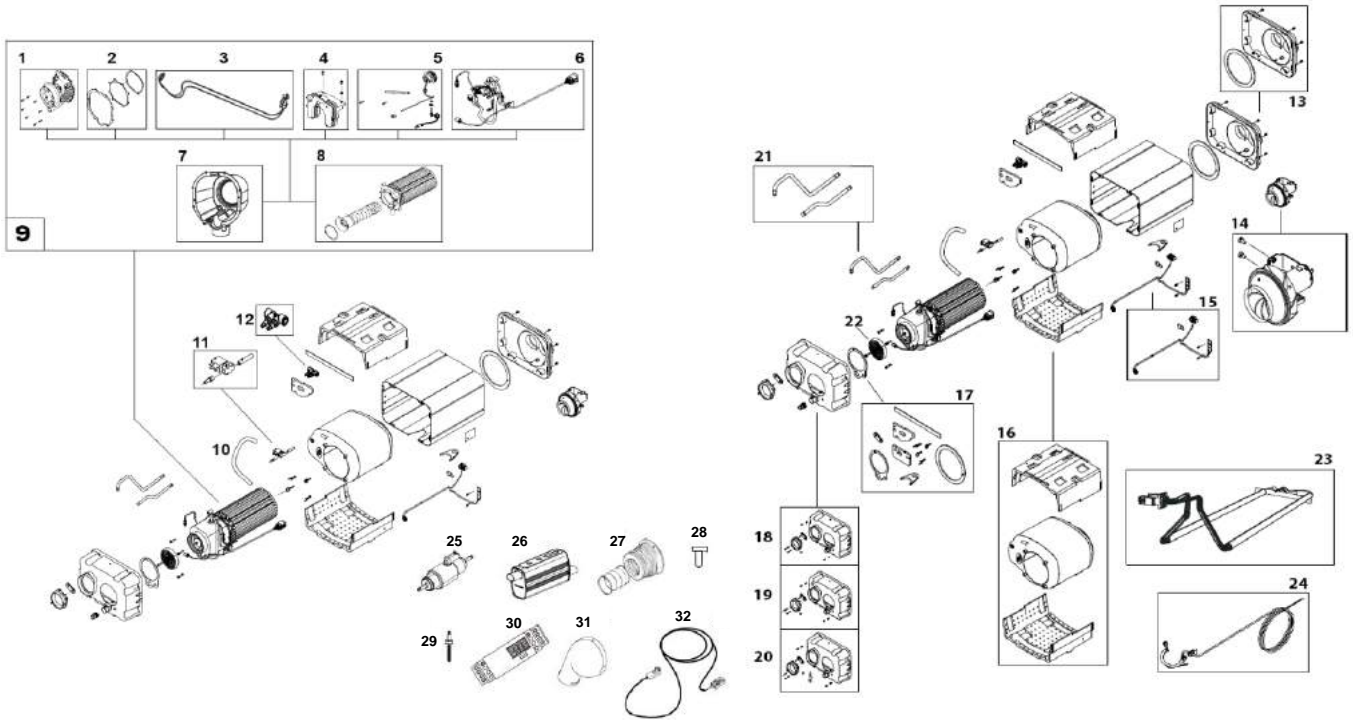
Accessories



Item No	Description	Part No.
1	Programmable User Interface (PUI) RHA 100/101/102	1320808A
2	Dosing pump wiring harness extension DP 40 1m	1312808C
2	Dosing pump wiring harness extension DP 40 3m	1319526A
2	Dosing pump wiring harness extension DP 40 5m	9017412C
2	Dosing pump wiring harness extension DP 40 7m	1312814C
3	Operating Control Wiring Harness Extension RHA 100 3m	9021976A
3	Operating Control Wiring Harness Extension RHA 102 3m	9020630B
4	Air Intake Cover 60mm	1314904A
5	Air Outlet 90mm, 90° black	1320932A
6	Air Inlet Bellows Kit	9018647C
7	Ducting – refer to ducting accessories section in Air Top 2000ST / Air Top Evo	N/A
8	10/10mm Pushfit /flexipipe conn. (MOQ 2 pcs)	9022380A
9	15/10mm Pushfit/Pushfit conn.	9020574B
10	Manual User Interface (MUI) RHA 100	1319988A
11	Button Style Ext. Temp Sensor 3m (Leisure)	9030882A
Not Shown	Panel Frame for MUI	1315197A
Not Shown	T91 Holiday remote control kit	9018150A

Integrated Heating Systems

Dual Top RHA 100 / 101 / 102 Common Replacement Parts



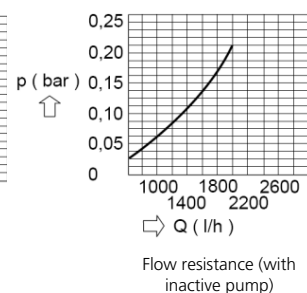
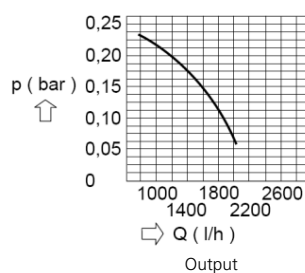
Item No	Description	Part No.
1	Combustion/Cooling Fan RHA 100 / 101 / 102	9019409D
2	Gasket set thermo unit RHA 100 / 101 / 102	9019415C
3	Overheat protector	9019413B
4	Control Unit RHA 100 Control Unit RHA 101 Control Unit RHA 102	9019410D 1314768A 1314769C
5	Burner RHA 100 / 101 / 102	9019412B
6	Wiring Harness (Internal) RHA 100 / 101 / 102	9019411B
7	Cooling Shell RHA 100 / 101 / 102	9019425B
8	Heat exchanger RHA 100 / 101 / 102	9019414B
9	Thermo unit RHA 100 Thermo unit RHA 101 Thermo unit RHA 102	9019946C 1314755A 1314758A
10	Drain tube RHA 100 / 101 / 102	9019422B
11	Boiler Drainage Solenoid Valve RHA 100 / 101 / 102	9020710B
12	Valve Air Ventilation/Overpressure	9019405B
13	End Cap RHA 100 / 101 / 102	9019402B
14	Heating Air Blower Assy c/w PWM RHA 100 / 101 / 102	9019404C
15	Sensor wiring harness RHA 100 / 101 / 102	9019400B
16	Boiler RHA 100 / 101 / 102	9020709A
17	Gasket Set Basic Heater RHA 100 / 101 / 102	9019406B
18	Service Cap RHA 100	9019399B
19	Service Cap RHA 100 / 101 / 102 Diving pump version	1315165A
20	Service Cap RHA 101 / 102	9019654B
21	Water pipes RHA 100 / 101 / 102 (2 pieces)	1314773A
22	Air Intake Grille RHA 100 / 101 / 102	9019423B
23	Mains Heating Element Kit RHA 101 (2 pieces) Mains Heating Element Kit RHA 102 (2 pieces)	9019652C 9020714A
24	Wiring harness tubular heater 230v RHA 101/102	9019653B
25	Dosing pump 40.2 12v RHA 100 / 101 / 102	9019418C
26	Exhaust Silencer RHA 100 / 101 / 102	1314770A
27	Rubber Bellow Assembly RHA 100 / 101 / 102	9018647C
28	Hammer Screws (qty 6)	9019424B
29	Bag with Screws RHA 101 / 102	1314752A
30	Relay Box RHA 101 / 102 230v	1314772A
31	Air Intake Cover (D60) RHA 100 / 101 / 102	1314904A
32	External Temperature Sensor RHA 100 / 101 / 102	9019417B
Not Shown	Dual Top RHA 100/101/102 12v Service Kit (incl burner & gasket set)	4111825A
Not Shown	Seal – Boiler (Dual Top)	1320955A

Water Heating Systems

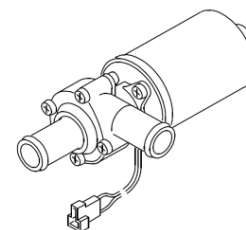
Circulation Pumps U4810 / U4846

U4810 Variants

Technical Data (tolerance $\pm 10\%$)		
Volume flow against 0.15 bar	l/h	1600
Rated voltage	V	12 / 24
Rated power consumption	W	25
Water socket connections	mm	18
Electrical connections		See plug version
Dimensions (LxBxH)	mm	173 x 81 x 77
Weight	Kg	0.8

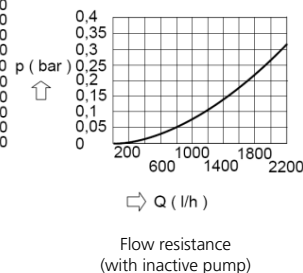
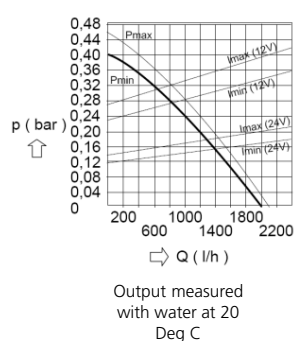


Part No	Description
458414	U4810 12v with bracket
458384	U4810 12v without bracket
9024187B	U4810 24v with bracket
458392	U4810 24v without bracket

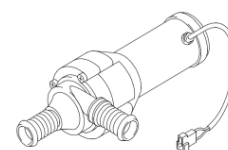


U4846 Variants

Technical Data (tolerance $\pm 10\%$)		
Volume flow against 0.15 bar	l/h	700
Rated voltage	V	12 / 24
Rated power consumption	W	15
Water socket connections	mm	20
Electrical connections		See plug version
Dimensions (LxBxH)	mm	180 x 74 x 112
Weight	Kg	0.7



Part No	Description
35897A	U4846 12v without bracket
1322824A	U4846 24v without bracket

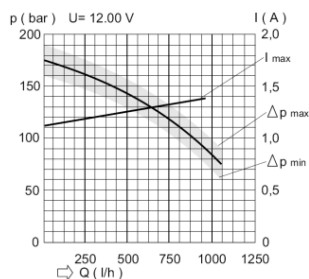


Water Heating Systems

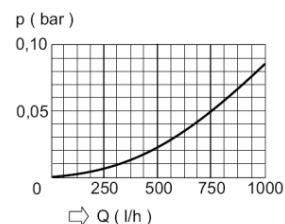
Circulation Pumps U4847 / U4814 (Aquavent 5000)

U4847 Variants

Technical Data (tolerance $\pm 10\%$)		
Volume flow against 0.15 bar	l/h	500
Rated voltage	V	12 / 24
Rated power consumption	W	14 / 28
Water socket connections	mm	18 / 20
Electrical connections		See plug version
Dimensions (LxBxH)	mm	96 x 75 x 80
Weight	Kg	0.3

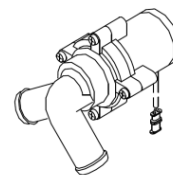


Output measured with water at 20 Deg C



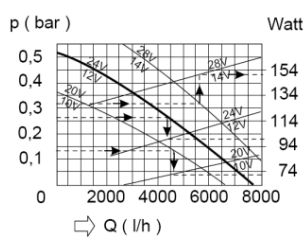
Flow resistance (with inactive pump)

Part No	Description
98237B	U4847 24v for Thermo 50 axial socket
9017986A	U4847 econ 130°
9017982A	U4847 econ axial

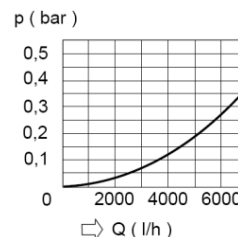


U4814 (Aquavent 5000) Variants

Technical Data (tolerance $\pm 10\%$)		
Volume flow against 0.15 bar	l/h	5200
Rated voltage	V	12 / 24
Rated power consumption	W	104
Water socket connections	mm	38
Electrical connections		See plug version
Dimensions (LxBxH)	mm	221 x 100 x 105
Weight	Kg	2.1

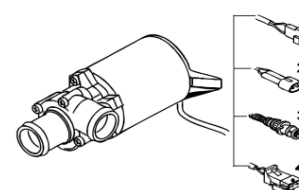


Output



Flow resistance (with inactive pump)

Part No	Description
43151D	U4814 12v (pos 1)
43150C	U4814 24v (pos 1)
63699C	U4814 24v (pos 2)
21191D	U4814 24v (pos 3)
86496E	U4814 24v (pos 4)



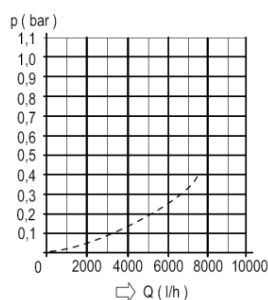
Water Heating Systems

Circulation Pumps U4854 (Aquavent 5000S)/ U4856 (Aquavent 6000 SC)

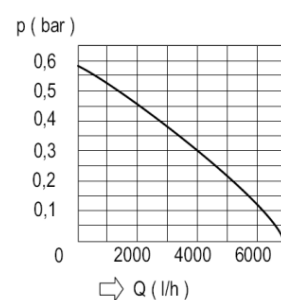
U4854 (Aquavent 5000S) Variants

Technical Data (tolerance $\pm 10\%$)		
Volume flow against 0.15 bar	l/h	5200
Rated voltage	V	24
Rated power consumption	W	104
Water socket connections	mm	38
Electrical connections		See plug version
Dimensions (LxBxH)	mm	249 x 100 x 105
Weight	Kg	2.2

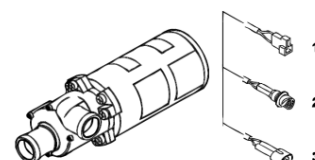
Part No	Description
1301681A	U4854 24v (Pos 1)
1302710A	U4854 24v (Pos 2)
1302711A	U4854 24v (Pos 3)



Output measured with water at 20 Deg C



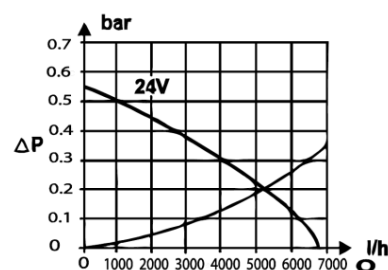
Flow resistance (with inactive pump)



U4856 (Aquavent 6000 SC) Variants

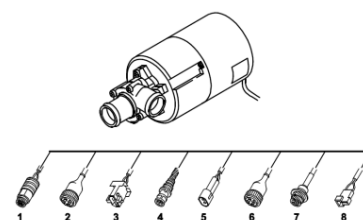
Technical Data (tolerance $\pm 10\%$)		
Volume flow against 0.15 bar	l/h	6000
Rated voltage	V	24
Rated power consumption	W	210
Water socket connections	mm	38
Electrical connections		See plug version
Dimensions (LxBxH)	mm	229 x 115 x 110
Weight	Kg	2.55

Part No	Description
1314659A	U4856 24V (Pos 1)
2710196A	U4856 24V (Pos 2)
1314660A	U4856 24V (Pos 3)
1314728A	U4856 24V (Pos 4)
1314554A	U4856 24V (Pos 5)
1314670A	U4856 24V (Pos 6)
1314661A	U4856 24V (Pos 7)
11117198A	U4856 24V (Pos 8)



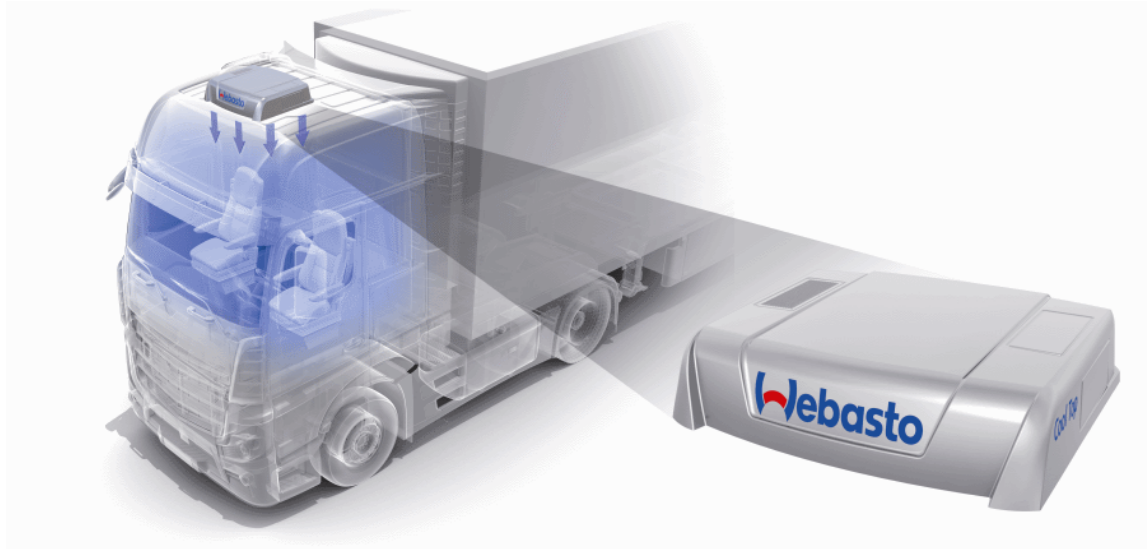
Output measured with water at 20 Deg C

Flow resistance (with inactive pump)



Parking Cooler Cool Top Vario 10 E

Comfort and efficiency!



- Parking cooling without engine operation
- Energy-efficient operation
- Low installation time
- Low power consumption
- Low noise during operation
- Specific dedicated truck fitting kits are also available – pricing upon request

Technical Data (tolerance $\pm 10\%$)

Cooling capacity (according DIN 5151)	W	950 (compressor max 1000W)
Rated voltage	V	24 (operation range from 20 to 30v d.c.)
Max power consumption	A	20 (Eco Mode max 11A)
Max operating temperature		+45 °C ambient temperature
Evaporator blowing volume	m ³ /h	500
Dimensions	mm	Outside : 860 x 700 x 190 Inside : 400 x 402 x 120
Weight	Kg	32

Part No	Description
BE84031739A	Parking Cooler Cool Top Vario 10 E Standard kit including remote control for all installations (except Iveco Stralis)
BE84031873A	Standard Mounting Kit

Climate Control

One button ...



A simple to use Climate Control module designed to provide autonomous temperature control in Commercial and Leisure vehicles. Simple to operate and easy to install, the operator simply dials in the desired temperature and the unit seamlessly switches between hot and cold providing totally automatic temperature control.

Product Advantages include:

- Unique "Car Style" design
- Simple one button operation
- Plug and play installation
- No external relays
- Pre heat operation (without engine)*

Applications:

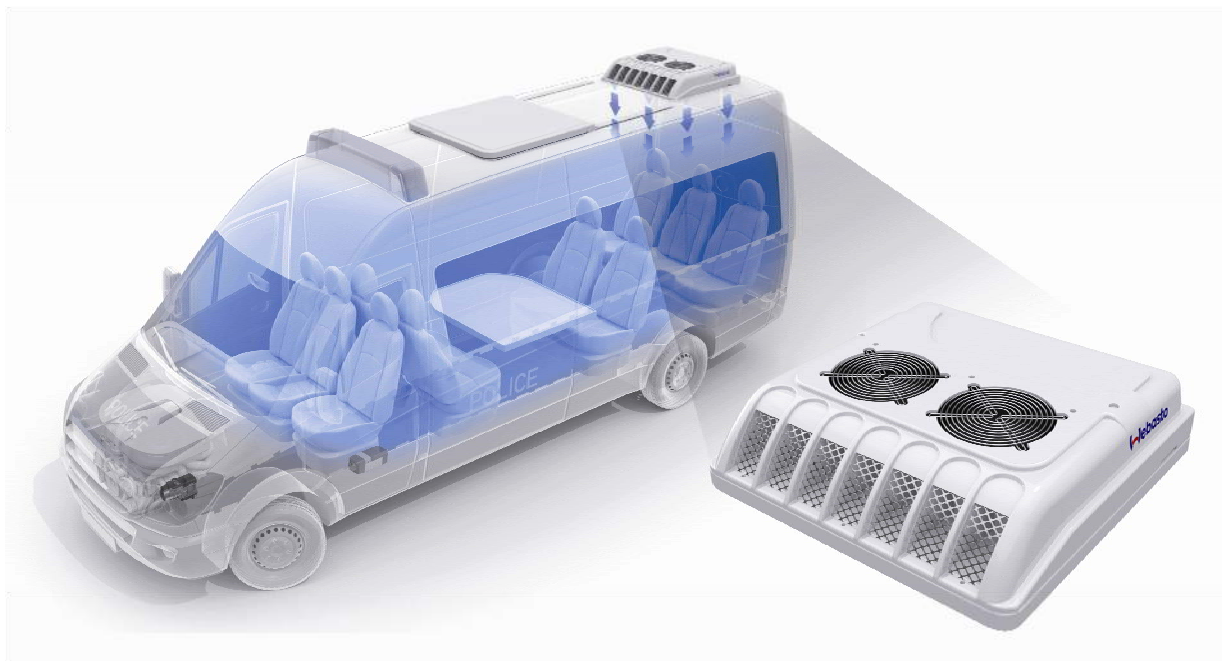
- Minibus
- Accessible Transport Vehicles
- Ambulance
- Bus and Coach
- Custodial Vehicles
- Military

*requires timer/time delay relay

Part No	Description
4110978A	Climate Controller 12v (inc head unit and ECU)
4111130A	Harness set climate control module
4111142A	Sensor kit climate – Air Top Evo 3900 / 5500
4111144A	Sensor kit climate – Air Top 2000 ST

Air Conditioners

The right climate is essential!



As a result of the recent acquisition of Diavia, Webasto now offer an extensive product portfolio of versatile and robust air conditioning solutions for virtually all vehicles within the commercial vehicle sector, including roof-top compact air-conditioning systems, split-systems or integrated evaporator units.

Our fast and cost-effective retro-fitting solutions ensure an optimum climate in the mobile work place or in the passenger area. An air-conditioned workplace contributes to a better concentration capacity and assists with driver endurance.

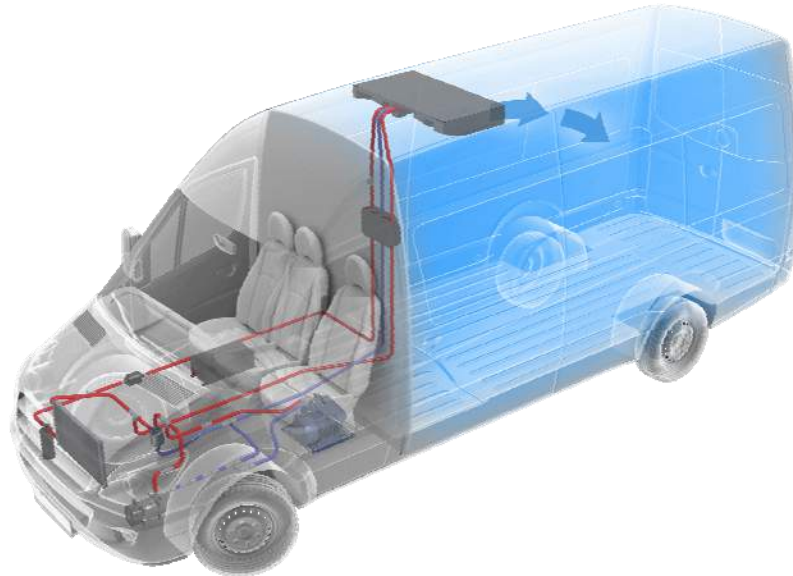
Thanks to our experience in the automotive industry, we are able to provide bespoke vehicle air conditioning systems to meet your exact requirements.

Please contact our Sales Department for further information & pricing for your project.



Transport Refrigeration

High performance – compact solutions!



Following the acquisition of Diavia, Webasto now offer a comprehensive range of transport refrigeration systems which ensure that perishable cargos transported across any distance, are well taken care of and arrive in perfect condition.

With a discreetly mounted condenser, we offer the benefits of market leading performance combined with fuel efficiency and lightweight equipment to suit any application requirement.

A wide variety of accessories and kits are available for vehicle specific installation and integration, and are available with both R134a and R404a refrigerant. Chill, Frozen and Heat Cool options, with or without defrost and standby are available – offering the ultimate transport refrigeration solution.

Please contact our Sales Department for further information & pricing for your project



Marine Air Conditioners

The right climate is essential!



BlueCool Classic



BlueCool Premium

Webasto now offers a full comprehensive range of Marine Air Conditioning System within its product portfolio.

Due to the diverse nature of installations, pricing for suitable systems are available upon request.

The **Blue Cool Classic** self-contained air conditioning systems provide the perfect answer for boats with one to three cabins.

Ideal for retro-fitment, the range comprises eight models with cooling capacities from 1.5kW to 8.8kW.

Each model is simple to install, automatic in operation, contains an environmentally friendly refrigerant and dehumidifies as it cools. All construction is from salt water-resistant materials, so low maintenance is an additional bonus.

Larger yachts and power cruisers will require the **Blue Cool Premium** chiller/water range.

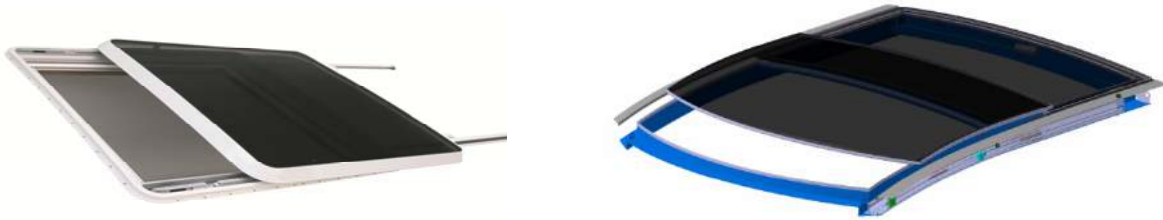
These comprise a central cooling unit that cools water, which is then distributed via a pipe network to a fan-type heat exchanger in each cabin. Electronic climate controllers enable the luxury of being able to select individual temperatures throughout the vessel.

The twelve-model range includes systems capable of cooling outputs from 3.5kW to 14.6kW, plus the convenience of reverse cycle heating if required.

Larger units with capacities up to 150kW are available on request.

Marine Roof Platform Systems

Designed for your needs



Webasto has been manufacturing premium quality roofs for the automotive industry for over 50 years and are still the worldwide leader when it comes to sunroofs or retractable hardtops. Now we have brought this expertise into the marine market, and you can profit from it!

Webasto offers high quality roof systems to provide passengers with the best possible light and air on board. We are matching our expertise and knowledge acquired in 50 years of **automotive experience** with the latest **marine requirements** to provide customers and OEMs with top quality solutions for their boat or yacht.

Our customisable products allow our customers to create a **personalised roof with nearly no design constraints**.

We can offer a whole service range, starting with the customisable Hollandia Marine Sliding Roof, **one of the largest roof systems on the market and of outstanding flexibility**, up to completely customer specific roof projects, where only the imagination sets the limit.

Pricing for suitable systems are available upon request from our Sales Office.

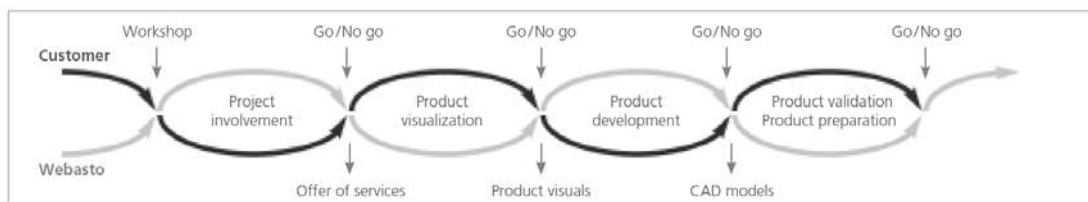
Marine Engineering Services

The whole package for your project

- As the worldwide leader in automotive sunroof and convertible systems, Webasto can offer you uniquely customised roof solutions for your boat or yacht.
- Large moveable surfaces of all kinds and sizes are our mission.
- 30 years experience in advanced automotive roof systems applied to the marine market; kinematics, advanced materials, water management and sealing systems.
- We bring your ideas to reality and guarantee high quality and outstanding production know how.
- Webasto offers manufacturing at full series quality levels: process orientated assembly operations, from prototype line, through the design check onto series production.
- Staged project approach and joint teams enable know how transfer to your engineers.

The success of our projects stands on three basic elements:

1. Phased project approach allows frequent evaluation and limits the customers risk.
2. Joint teams require strong customer involvement (Marketing, R & D, Manufacturing) at every stage
3. Highly valuable know how transfer ensures the best outcome of project investments



Phase 1 : Product Visualisation

Activity: Translate Ideas in visual concepts

- Input (of customer)
- Ideas out of workshop
- CAD data of customer
- Application of product
- Technical requirements
- Technical constraints

Deliverables

- Visuals of product ideas
- Basic product description
- Functionality/Test Specifications
- Technology/Materials
- Indication of piece price and investment
- Detailed offer for phase 2

Phase 2 : Product Development

Activity: Translate Visual into technical concept

- Evaluate various concepts
- Customised adaption of semi-standard products
- Creation of technical solution
- Solutions to constraints

Deliverables

- CAD presentation of product concept
- Translation of functions into technical solutions
- Translation of constraints into technical solutions
- 3D CAD models
- Updated cost price and investment
- Detailed offer for phase 3

Phase 3 : Product Validation

Activity: Prepare drawing package for suppliers & assembly

- Product update
- Review 3D model
- Make changes
- Possibility to test prototypes

Deliverables

- Design Failure Mode & Effect Analysis (D-FMEA)
- Updated 3D CAD models
- On request : prototyping and testing
- Detailed offer for production

Indel Webasto Marine Products

A long tradition of Innovative Quality Projects



Indel Webasto Marine is the successful joint venture between the leading automotive supplier Webasto and the Italian refrigeration specialist Indel B. These two companies have joined forces to bring high quality equipment solutions for marine & R.V. applications.

The wide product range consists of fridges and freezers, built-in and travel boxes, wine cellars, water calorifiers, safes as well as customised solutions to offer more comfort on board. Indel Webasto Marine's refrigeration and freezer solutions are well acknowledged for their user-friendliness, their stylish design and their energy saving engineering.

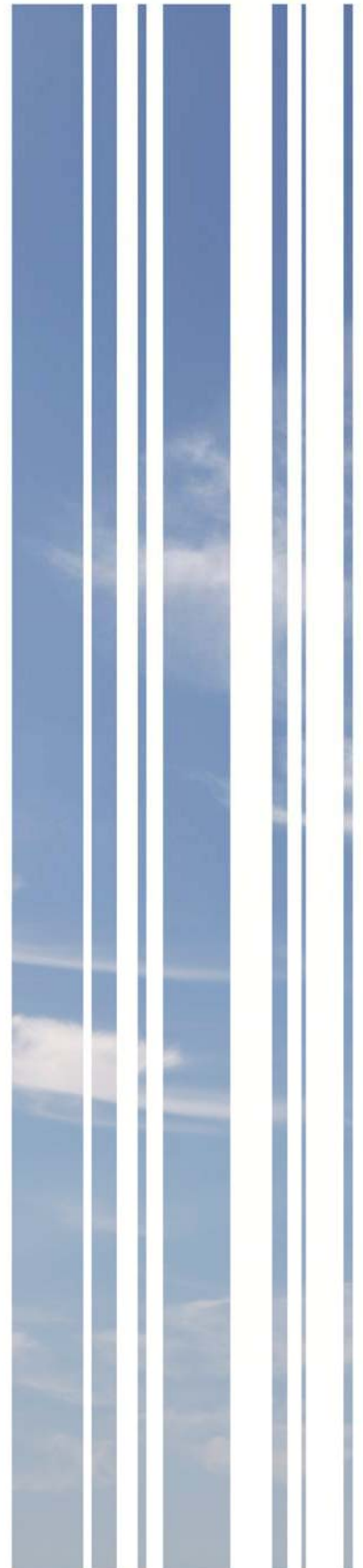
Indel Webasto Marine represents:

- Quality components and products
- High performance
- Outstanding design
- Unique patents and technologies such as ASU and Frost-free
- Easy installation
- Vast product range and customisation possibilities



Due to the vast range of products available, pricing for suitable systems are available upon request from our Sales Office.

Accessories



Thermo Call



Webasto Thermo Call offers an easy and smooth way to operate your heating system. No need to use a separate control panel - just simply use your phone. Whether you are using a fixed line or a mobile phone your heater is always accessible, regardless of distance and ranges.

Suitable for all heating systems and types of vehicles!

The Thermo Call needs a SIM card with sufficient credit in order to operate. The optional feedback function may result in additional SMS costs, dependant upon your contract.

The Webasto Thermo Call App has been developed specifically for use with the Thermo Call Version TC3 and is unsuitable for previous versions of Thermo Call.

Product Features:

- Direct on and off function via SMS or call.
- Programmable start-time up to 24 hours in advance.
- 7-days reminder function.
- Operation time setting and display of remaining heating time.
- Can operate two heaters or drive a remote relay to trigger other items such as the alarm or horn.
- Can operate as cabin thermostat.
- Alarm function can be fitted to alert low voltage or temperature.
- Temperature alarm (with optional sensor).

Download now!

Download the Thermo Call App in the Apple App Store, Windows Phone Store or Google Play Store

Part No	Description
7100350D	Thermo Call Upgrade Kit (Air Top Evo with MC controller only / Thermo Top / Thermo 90 ST only)
T.B.A.	Thermo Call Upgrade Kit (Air Top 2000 ST)

SmartController & MultiController



SmartController



MultiController

Heater compatibility

	W-Bus	Analog (via switching output)	Unibox (required for installation) 9031714A & 9029784A	SmartController 9030026A	MultiController HD 9030025A	MultiController MAR/RV TT 9030911A	MultiController MAR/RV ATE 9030910A	MultiController Car 9029783A
Water heaters								
Thermo Top Evo	•							•
Thermo Top Z/E/C		On/Off		•	•	•		•
Thermo 230/300/350		On/Off		•	•	•		
Thermo Pro 50 / Thermo Pro 90		On/Off		•	•	•		
Thermo 90 ST		On/Off		•	•	•		
DBW 2010/2016		On/Off		•	•	•		
Air Heaters								
Air Top 2000 ST	*		•	•	•			
Air Top Evo 40/55	*		•	•	•		•	
Air Top Evo 3900/5500			•	•	•		•	

*Implementation of W-Bus planned for Q2 2015. After this Unibox will not be required

Part No	Description
9030026A	SmartController
9029784A	Unibox for use with SmartController & MultiController (Air Top 2000 ST & Air Top Evo 3900/5500)
9031714A	Wiring harness for use with Unibox (Air Top 2000 ST & Air Top Evo 3900/5500)
9029783A	MultiController Car
9030911A	MultiController Marine/RV (Water Heaters)
9030910A	MultiController Marine/RV (Air Top Evo Heaters)
9030025A	MultiController Commercial Vehicle/HD
9029674B	Diagnostic Cable (Smart/MultiController)
9030077A	Mounting Plinth (Smart/MultiController)

Accessories

Marine 7 Day Programmable Timer Kits



- Offers 4 Timer Events per day, seven days a week
- Plug and play
- Supplied with full installation & operating instructions

Part No	Description
4110556A	Marine Dedicated 7 Day Programmable Timer 12v - Air Top 2000 ST
4110555A	Marine Dedicated 7 Day Programmable Timer 12v - Air Top Evo 3900 / 5500
4110551A	Marine Dedicated 7 Day Programmable Timer 12v - Thermo Top
4110557A	Marine Dedicated 7 Day Programmable Timer 12v - Thermo 90 ST

Accessories

Diesel Cooker X100

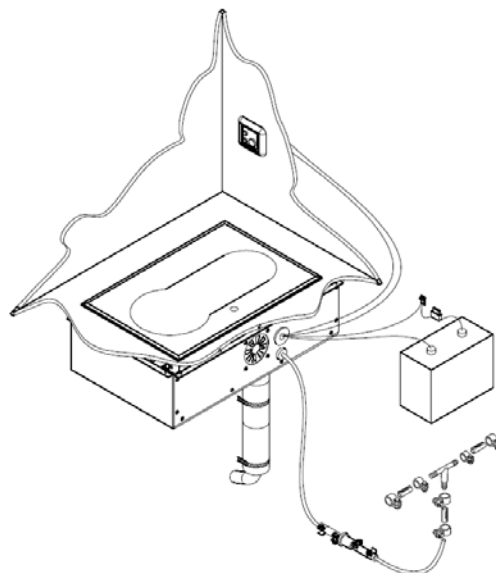


Technical Data (tolerance $\pm 10\%$)

EG-Type Approval code			GS / Fi / CE : 22159 / 22156
Heating Output	Control Range	kW	0.9 – 1.9
Fuel Consumption	Control Range	kg/h	0.074 – 0.156
Rated Voltage		V	12
Rated Power Consumption	Control Range	W	0.3 (with start 8)
Heating up time		min	3
Fuel Type			Diesel EN 590
Maximum temperature cooking field		$^{\circ}\text{C}$	550
Dimensions (Ceran [®] cooking field)	LxWxH	mm	466x316x50
Dimensions (Ventilation box)	LxWxH	mm	565x366x172
Weight		Kg	9.5

Unit

Part No	Description
WA90000B	Diesel Cooker X100 including universal installation kit

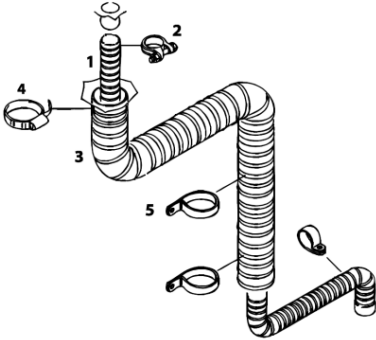


Accessories

Diesel Cooker X100

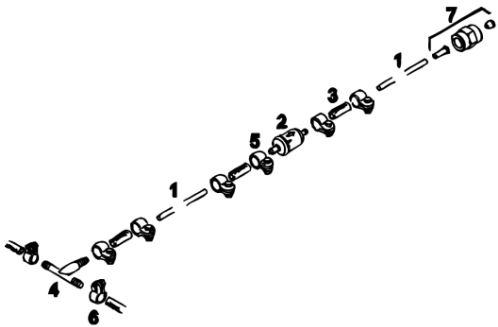


Exhaust



Item No	Description	Part No.
1	Exhaust 28mm diameter – 3m length	3200830A
1	Exhaust 28mm diameter – 20m roll	3200832A
1	Exhaust 28mm diameter – 1.9m length	3200826A
2	Hose Clamp 30-35mm	1320203A
3	Cooling air hose APK 60mm diameter	398497
4	Hose Clamp DIN 3017 60-80mm	1310877A
5	Hose Clamp 62mm	79375450

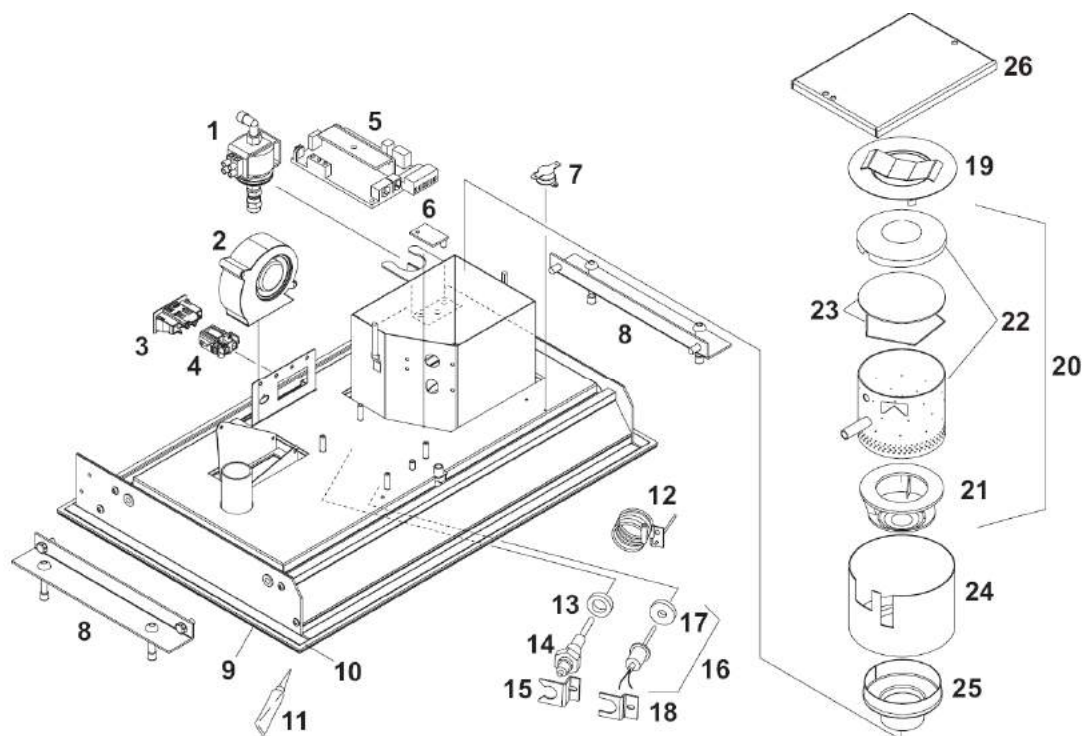
Fuel Supply



Item No	Description	Part No.
1	Fuel hose (per m)	483931
2	Fuel filter	1319466A
3	Fuel hose connector	484032
4	Fuel T piece 8 x 5 x 8 (plastic)	1320192A
5	Hose clamp 10mm	1310947A
6	Hose clamp 12mm	379670
7	Fuel connector – cooker fuel pump	WA17689

Accessories

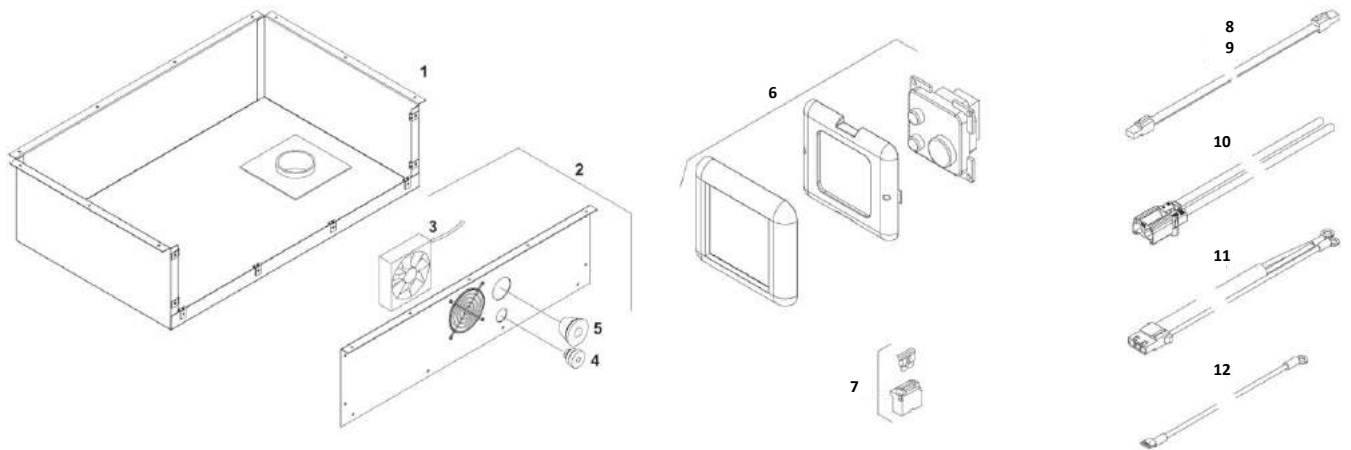
Diesel Cooker X100 Common Replacement Parts



Item No	Description	Part No.
1	Fuel Pump FC1	WA601948
2	Combustion Blower	WA850205
3	Mounting flange for power connector	WA854398
4	Terminal block male for power connector	WA854397
5	Control unit XPS	WA40130
6	Hot plate indication LED	WA40140
7	Overheat thermostat complete incl wire set	WA111685
8	Table mounting bracket (Qty 2)	WA602570
9	CERAN® Glass plate	WA602593
10	Gasket for CERAN® Glass plate	WA602597
11	Silicone glue for CERAN® Glass plate	WA888523
12	Fuel pipe	WA301150
13	Gasket for glowplug	WA300194
14	Glowplug	WA853513
15	Fixing bracket for glowplug	WA300165
16	Thermo element T4 + gasket	WA36400
17	Gasket for thermo element T4	WA300163
18	Fixing bracket for thermo element T4	WA602376
19	Reflector plate 1	WA602714
20	Burner Cylinder Assembly	WA602211
21	Radiation element	WA260114
22	Burner Cylinder	WA602216
23	Burner matting 85mm diameter with spring	WA36098
24	Burner outer cylinder	WA300115
25	Burner collar assembly	WA602517
26	Burner chamber bottom section	WA601928KOK

Accessories

Diesel Cooker X100 Common Replacement Parts

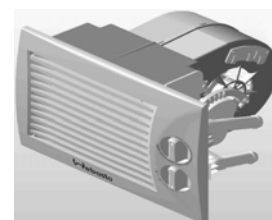


Item No	Description	Part No.
1	Ventilation box	WA602697
2	Front plate assembly	WA602698
3	Ventilation fan	WA36207
4	Seal 25mm diameter	WA401119
5	Seal 38mm diameter	WA401120
6	Operating Panel	WA40125
7	Fuse	3200432A
8	Operating panel wiring harness 2m long	WA854016
9	Wiring harness for high altitude switch	WA854014
10	Power cable with connectors 4m long	WA854192
11	Wiring harness for glowplug	WA8540069B
12	Grounding wiring harness	WA300790

Accessories

Blower Boxes

Florida / Silencio / Hercules range



Technical Data (tolerance $\pm 10\%$)		Florida 5	Silencio 2	Hercules ED4
				
Heating Output	kW	5.2	5.5	10.8
Dimensions (L x B x H)	mm	269x218x198	320x125x152	362x241x130
Weight	Kg	2	2	3.7
Rated Input	W	120	16	165
Airflow	m ³ /h	285	250	420-450

Units

Part No	Description
3200679A	Florida 5 with control 12v
3200680A	Florida 5 with control 24v
3200681A	Florida 5 without control 12v
3200682A	Florida 5 without control 24v
41T0034	Silencio 2 12v
41S80003A	Silencio 2 24v
4111416A	Hercules ED4 12v (supplied with 4 x 55mm spigots)
41S80011A	Hercules ED4 24v (supplied with 4 x 55mm spigots)

Accessories

Part No	Description
41K119A	Universal Coolant Hose Kit (inc 7.5m length of 16mm coolant hose, various joiners, t pieces, clips)
3391288A	Automatic Blower Control Kit

Accessories

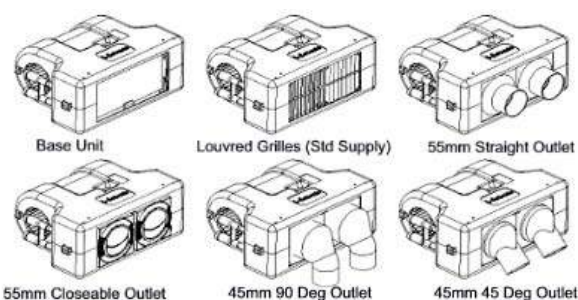
Blower Boxes Madera range



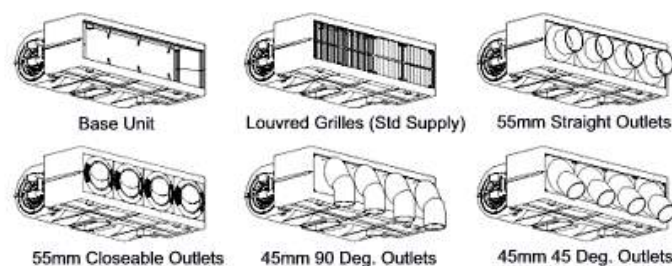
Technical Data (tolerance ±10%)

		Madera 4	Madera 8
Heating Output	kW	4.6	7.3
Dimensions (L x B x H)	mm	275x203x115	376x250x115
Weight	Kg	1.8	3.1
Rated Input	W	70	150
Airflow	m ³ /h	200	300
Fan Speed		3	3

Madera 4



Madera 8



Part No	Description
71174550	Madera 4 12v (supplied with 2 x 90/90 Louvred Grilles as standard)
71174552	Madera 4 24v (supplied with 2 x 90/90 Louvred Grilles as standard)
71174554	Madera 8 12v (supplied with 4 x 90/90 Louvred Grilles as standard)
71174556	Madera 8 24v (supplied with 4 x 90/90 Louvred Grilles as standard)

Madera Accessories

Part No	Description	Qty Reqd Madera 4	Qty Reqd Madera 8
71174560	Grille (90x90)	2	4
71174561	Outlet 55mm straight	2	4
71174563	Outlet 45mm 90°	2	4
71174564	Outlet 45mm 45°	2	4
71174562	Air Outlet Closeable	2	4
19062000	Electronic speed control 12v/24v	-	-
19062300	Electronic speed control with on/off switch 12v/24v	-	-
41K120A	3 Speed rotary blower switch	-	-
41K119A	Universal Coolant Hose Kit (inc 7.5m length of 16mm coolant hose, various joiners, t pieces, clips)	-	-

Accessories

Thermoduct



Webasto Thermoduct is constructed using market leading Thermal Insulation Material. The material is stitched into 750mm long tubes and is designed to slide directly over warm air ducting, providing exceptional thermal insulating properties.

- Temperature Resistant up to 40°C
- Hydrophobic – actually repels water, thus preventing mould & mildew
- Hypoallergenic
- Easy to handle
- Can double the effective heat output from air heaters by minimising ducting heat loss
- Allows long ducting runs to provide effective heat output
- Reduces heater running times, improving fuel and electrical power consumption
- Reduces external duct temperature from circ. 100° to 30°C

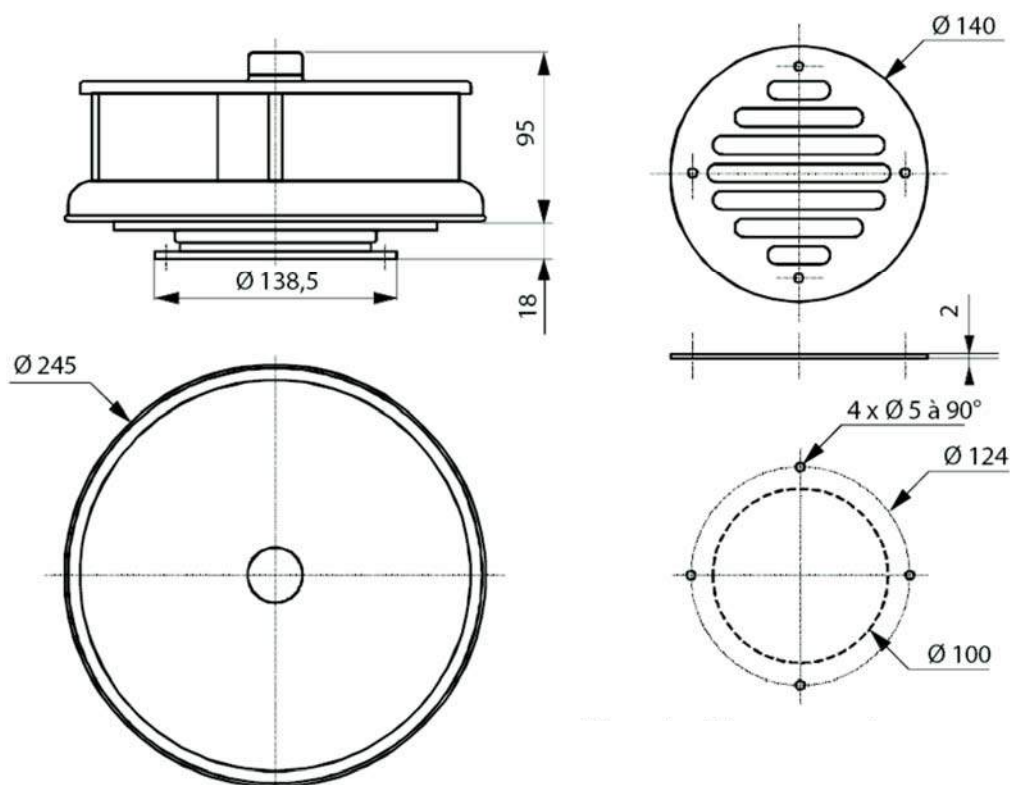
Part No	Description
41S70014A	60mm Thermoduct – 750mm length
41S70015A	80mm Thermoduct – 750mm length

Accessories

Mechanical Roof Ventilator



Mechanical roof ventilator, assembled with 2 ball bearings. Supplied with black polycarbonate air diffuser.



Part No	Description
12140420	Autogire Mechanical Roof Ventilator ABS in white

Accessories

Mini 12v / 240v R.V. Water Heater



Technical Data (tolerance $\pm 10\%$)

Rated voltage		V	12/240
Electric element power consumption	12v 240v	W	300 700
Pressure relieve valve rating		Bar	4
Water storage period	Average time	Hours	6-8
Dimensions of heater	LxBxH	mm	320x230x230 390x250x250 = total length/foot width
Weight of heater		Kg	6
Capacity		litres	6
Water connection fittings			1/2" BSP

Unit

Part No	Description
41S80013A	Mini R.V. Water Heater

Accessories

Diesel / Electric Water Heater System



Technical Data (tolerance $\pm 10\%$)

Rated voltage		V	240
Electric element power consumption	240v	W	2000
Pressure relieve valve rating		Bar	4
Water storage period		Constant	Maintained by device
Dimensions of heater	HxD	mm	318 x 275
Dry Weight of heater		Kg	11.6
Capacity		litres	Typically 6-8
Hot Water Production	@ 6°C		Up to 18 litres @ 40°C
Water connection fittings			1/2" BSP

Unit Concept

The concept of the mini water heater is to produce hot water via mains electric or a diesel fired coolant heater. The heated water is then stored within the insulated tank ready for use as required. The water heater does not need to be connected to the engine, therefore there are no conversion issues to be addressed with the vehicle manufacturer. The system is heated to approximately 80°C. At the set temperature, the thermostat turns off the mains electric or diesel heater. The system design allows extremely quick hot water production and recovery.

Heating

The system can be connected to a Webasto Thermo Top diesel heater and incorporated into a "wet" heating system. Heat is produced by active or dynamic heating modules. When connected into a heating circuit, the mains system can also be used for heating.

Pricing available upon request

Accessories

R.V. Calorifiers



Technical Data (tolerance $\pm 10\%$)

		Horizontal	Vertical
Capacity	Litre	10	10
Dimensions inc. fittings	LxWxH (mm)	575x240x245	260x260x395
Weight	Kg	6.7	5.7

Units

Part No	Description
41S40048A	Horizontal 10 litre calorifier
4110132A	Vertical 10 litre calorifier

Accessories



Part No	Description
7572516A	1/2" BSP x 16mm
7572517A	1/2" BSP x 19mm

Vehicle Roof Hatches

Safety and Comfort



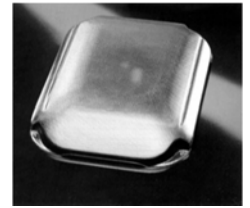
As an exclusive Spheros sales partner, Webasto offers the optimum roof solution for every type of bus.

Spheros roof hatches comply with the most stringent safety regulations and offer passengers perfect travel comfort due to optimum ventilation.

Due to the extensive range and options available, please contact our Sales Office for pricing and availability.

Extractor Fans

EF3



Technical Data (tolerance $\pm 10\%$)		
Air Circulation Effect		740m ³ /h, 26v d.c.
Noise Level		Max 58 dB(A) (2/12 and 2/24 versions)
Net Weight		1850g
Electrical Consumption		65W
Voltage		12v or 24v
Dimensions of Dome (mm)	L x W x H	406 x 317 x 67
Dimensions of inner trim (mm)	L x W x H	374 x 266 x 32
Diameter of roof aperture (mm)		200

Units

Part No	Description
411788	EF3 unit with white cover 12v
411789	EF3 unit with white cover 24v

Accessories

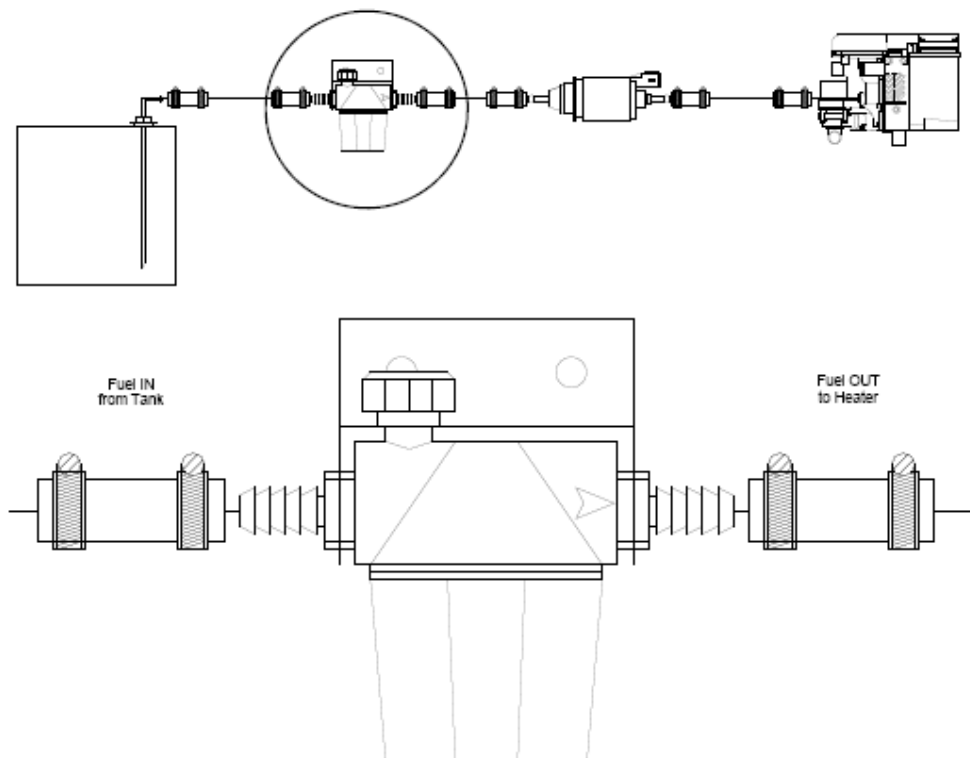
Marine Fuel Filter Kits



- Comes complete with installation kit and bracket
- Washable Filter
- Complete with Stop Tap
- Easy installation to existing Webasto Systems
- Comes with UK installation instructions.
- Competitively priced

Part No	Description
4110766A	Kit – Marine Fuel Filter complete with fittings & mounting bracket

Installation Example:



Webasto Thermo & Comfort UK Ltd - Conditions of Sale of Goods and Provision of Services

1 Definitions and Interpretation

- 1.1 In these Conditions the following words have the following meanings: "the Company" means Webasto Thermo & Comfort UK Ltd (Registered No: 2191825) whose registered office is at Webasto House, White Rose Way, Doncaster Carr, South Yorkshire, DN4 5JH; "Contract" means any contract between the Company and the Customer for the sale of Goods and/or provision of Services, incorporating these Conditions; "the Customer" means the person(s), firm or company who purchases the Goods and/or Services from the Company; "Goods" means any goods agreed in the Contract to be supplied to the Customer by the Company (including any part or parts of them); "Services" means any Services agreed in the contract to be supplied to the Customer by the Company; "Working Day" means any day except Saturday, Sunday or a bank holiday, public or statutory holiday in England.
- 1.2 In these Conditions references to any statute or statutory provision shall, unless the context otherwise requires, be construed as a reference to that statute or statutory provision as from time to time amended, consolidated, modified, extended, re-enacted, suspended or replaced
- 1.3 In these Conditions references to a gender include every gender, reference to persons include an individual, company, corporation, firm or partnership and reference to the singular include the plural and vice versa as the context admits or requires.
- 1.4 Headings are for ease of reference only and shall not affect the construction of these Conditions 2

2 Application of Terms

- 2.1 Subject to any variation under Condition 2.2 the Contract will be subject to these Conditions to the exclusion of all other terms and Conditions (including any terms or Conditions which the Customer purports to apply under any purchase order, confirmation of order, specification or other document whatsoever).
- 2.2 Any variation to these Conditions and any representations about the Goods or Services shall have no effect unless expressly agreed in writing and signed by a director of the Company.
- 2.3 Each order for Goods or Services by the Customer from the Company shall be deemed to be an offer by the Customer to purchase Goods or Services subject to these Conditions.
- 2.4 No order placed by the Customer shall be deemed to be accepted by the Company until a written acknowledgement of order is issued by the Company or (if earlier) the Company commences manufacture or despatch of the Goods to the Customer. Any order shall be accepted entirely at the discretion of the Company.
- 2.5 The Customer must ensure that the terms of its order and any applicable specification are complete and accurate.
- 2.6 Any quotation or estimate is given subject to these Conditions. Without prejudice to the Company's right not to accept an order, quotations will be valid for 30 days from date of issue.
- 2.7 The Customer can only cancel an order (or any part of an order) which the Company has already accepted, with the Company's prior agreement in writing and provided that the Customer indemnifies the Company in full in terms established by the Company. The Company is not bound to agree to any such cancellation and may complete such order even if the Customer claims to cancel the order.

3 Description of the Goods and Services

- 3.1 The description of the Goods or Services shall be set out in the Company's acknowledgement of order, or in its absence the Company's quotation.
- 3.2 All drawings, descriptive matter, specifications and advertising issued by the Company and any descriptions or illustrations contained in the Company's catalogues or brochures are issued or published for the sole purpose of giving an approximate idea of the Goods or Services described in them and they will not form part of the Contract.

4 Delivery and Acceptance of Goods

- 4.1 Unless otherwise agreed in writing by the Company delivery of the Goods shall take place at the Customer's place of business.
- 4.2 The Customer will take delivery of the Goods within 7 days of the Company giving it notice that the Goods are ready for delivery.
- 4.3 Any dates specified by the Company for delivery of the Goods are intended to be an estimate and time for delivery shall not be made of the essence by notice. If no dates are so specified, delivery will be within a reasonable time.
- 4.4 Subject to the other provisions of these Conditions the Company will not be liable for any loss (including loss of profit), costs, damages, charges or expenses caused directly or indirectly by any delay in the delivery of the Goods (even if caused by the Company's negligence), nor will any delay entitle the Customer to terminate or rescind the Contract unless such delay exceeds 90 days.
- 4.5 If for any reason the Customer does not accept delivery of any of the Goods when they are ready for delivery, or the Company is unable to deliver the Goods on time because the Customer has not provided appropriate instructions, documents, licences or authorisations then the Goods will be deemed to have been delivered, risk passing to the Customer (including for loss or damage caused by the Company's negligence) and the Company may:
- (a) store the Goods until actual delivery whereupon the Customer will be liable for all related costs and expenses (including without limitation storage and insurance); or
- (b) sell the Goods at the best price readily obtainable and (after deduction all reasonable storage and selling expenses) account to the Customer for any excess over the price under the Contract or charge the Customer for any shortfall below the price under the Contract.
- 4.6 The Customer will provide at its expense at the place of delivery adequate and appropriate equipment and manual labour for loading the Goods.
- 4.7 If the Company delivers to the Customer a quantity of Goods of up to 10% more or less than the quantity accepted by the Company the Customer shall not be entitled to object to or reject the Goods or any of them by reason of the surplus or shortfall and shall pay for such goods at the pro rata Contract rate
- 4.8 The Company shall be entitled at its discretion to make delivery of the Goods by instalments and to invoice the Customer for each Instalment despatched. Where the Goods are to be delivered in instalments, each delivery shall constitute a separate contract and failure by the Company to deliver any one or more of the instalments in accordance with these Conditions or any claim by the Customer in respect of anyone or more instalments shall not entitle the Customer to treat the contract as a whole as repudiated or to refuse to accept subsequent instalments.
- 4.9 The quantity of any consignment of Goods accepted by the Company upon despatch from the Company's place of business shall be conclusive evidence of the quantity received by the Customer on delivery unless the Customer can provide conclusive evidence proving the contrary.
- 4.10 The Company shall not be liable for any non-delivery of Goods (even if caused by the Company's negligence) unless written notice is given to the Company within 7 days and oral notice by telephone to the Company within 48 hours of the date when the Goods would be in the ordinary course of events have been delivered.
- 4.11 Any liability of the Company for non delivery of the Goods shall be limited to replacing the Goods within a reasonable time or issuing a credit note at the pro rata Contract rate against any invoice raised for such Goods.
- 4.12 Subject to Condition 4.13 the Customer will be deemed to have accepted the Goods as being in accordance with the Contract unless, within 14 days of the date of delivery of the Goods, the Customer notifies the Company in writing of any defect or other failure of the Goods to conform with the Contract which would be apparent upon reasonable inspection and testing of the Goods within 14 days (or within a reasonable time where the defect or failure would not be so apparent), failing which the Customer shall not be entitled to reject the Goods and the Company shall have no liability for such defect or failure, and the Customer shall be bound to pay the price as if the Goods had been delivered in accordance with the Contract.
- 4.13 Where the Company agrees to deliver the Goods at premises other than the Customer's the Company shall have no liability for damage caused by the carrier or caused in transport or loading or unloading unless the Company is notified of that damage within 2 Working Days of delivery
- 4.14 Goods, once delivered may not be returned, unless agreed in advance in writing by the Company, and subject to the following conditions:
- a) Goods are returned in a new and unused condition;
- b) Any packaging remains unbroken and in reasonable condition;
- c) Returns are made within 3 weeks of delivery of those Goods; all transport and other costs paid by the Customer;
- d) Payment by the Customer to the Company of a restocking charge of 20% of the net invoice value of the relevant Goods;
- e) Returned goods shall be accompanied by a written record of invoice number, date and note of reasons for return.
- 4.15 Blanket Orders – The following provisions will apply where the Company supplies the goods under a blanket order received from the Customer:-
- a) If the order is a scheduled order where the maximum quantity of goods required and the approximate dates (including the terminal date) on which the requirements will be called off are specified, the whole order will be treated as a single contract upon the contract terms.
- b) If the order is a non-scheduled order where the maximum quantity of goods required or where the appropriate call off dates are not specified, each call off will be deemed to conclude a separate contract upon the Contract Terms.
- Without limiting the generality of any of the other Contract Terms the Company will not be under any liability to the Customer if at the time of any call off by the Customer the Company is unable for whatever reason to supply goods in accordance with the Customers requirements.
- 4.16 Design etc.
- a) Where the goods are manufactured in accordance with information or drawings supplied by the Customer or to his design or specification or where standard goods of the Company are altered in accordance with the Customers instructions:- i) No guarantee or warranty is given by the Company as to the practicability, efficiency, safety or otherwise of the Goods (this being without prejudice to any other of the Contract Terms) ii) The Customer will indemnify and keep the Company indemnified against all liability incurred by the Company as a result of such Goods infringing any patent, registered design, copyright, or other like protection of the provision of any statute, statutory instrument or regulation for the time being in force
- b) No variation by the Company in the specification or design of any Goods shall constitute a breach of contract or impose upon the Company any liability whatsoever
- c) The Company shall be under no liability whatsoever to the Customer in respect of any loss, damage or claim incurred by or made against the Customer should any goods supplied by the Company infringe any patent, registered design, copyright or other like protection or the provision of any statute, statutory instrument or regulation for the time being in force
- d) Unless otherwise agreed in writing all patterns, drawings, tools, electronic data, etc., produced by or on behalf of the Company shall remain the property of the Company

5 Risk and Legal Title

- 5.1 The Goods shall be at the risk of the Customer from the time of delivery.
- 5.2 Full legal beneficial and equitable title to and property in the Goods shall remain vested in the Company (even though they have been delivered and risk has passed to the Customer) until:
- (a) payment in full, in cash or cleared funds, for all the Goods has been received by the Company; and
- (b) all other money payable by the Customer to the Company on any other account or under the Contract or any other contract has been received by the Company.
- 5.3 Until title to and property in the Goods passes to the Customer:
- (a) the Customer shall hold the Goods on a fiduciary basis as the Company's bailee;
- (b) the Customer shall store the Goods at its premises in a proper manner in conditions which adequately protect, preserve the Goods and insure them without any charge to the Company and not tamper with any identification upon the Goods or their packaging and shall ensure that they are stored adequately from any other goods whether or not supplied by the Company and are clearly identified as belonging to the Company and the Company shall be entitled to examine any such Goods in storage at any time during normal business hours upon giving the Customer reasonable notice of its intention to do so;
- (c) the Company may at any time on demand and without prior notice require the Customer to deliver the Goods up to the Company and the Company may repossess and resell the Goods if any of the events specified in Condition 14 occurs or if any sum due to the Company from the Customer under the Contract or on any other account or under any other contract is not paid when due;
- (d) for the purposes of this Condition 5 the Company, its employees and agents will be entitled to free and unrestricted access to any premises owned, occupied or controlled by the Customer and/or any other location where any of the Goods are situated at any time without prior notice;
- (e) the Company shall be entitled to maintain an action against the Customer for the price of the Goods notwithstanding that title to and property in the Goods has not passed to the Customer; and
- (f) the Company hereby authorises the Customer to sell the Goods in the normal course of the Customer's business and to pass good title in the Goods to its customers if they are purchasers in good faith without notice of the Company's rights. This right shall automatically cease on the occurrence of any event set out in Condition 14 and/or if any sum owed to the Company by the Customer is not paid when due. If the Customer sells the Goods prior to paying the full price thereof the Customer shall hold the proceeds of sale on trust for the Company and shall immediately pay the proceeds of the sale into a separate bank account. The Company shall be entitled to call upon the Customer to assign all claims that the Customer may have against purchasers of the Goods from the Customer
- 5.3 The Company's rights and remedies set out in this Condition 5 are in addition to and shall not in any way prejudice, limit or restrict any of the Company's other rights or remedies under the Contract or in law or equity.

6 Services

- 6.1 If the Contract includes the Company undertaking Services, then such Services shall be on the basis of the exclusions set out in Condition 6, 9 and 10 and the warranties set out in Conditions 6.2 and 9.
- 6.2 The Company warrants that it will carry out the Services under the Contract with reasonable care and skill. This warranty will be the only warranty given in respect of such Services.
- 6.3 Where the Company is to perform the Services at the Customer's premises, the Customer shall procure safe access to the premises and the provision of adequate power, lighting, heating and such other facilities or supplies for the Company's employees or agents in accordance with the demands of any applicable legislation and as the Company shall reasonably require.
- 6.4 The Services will be deemed completed and the relevant element of the price accordingly due and payable forthwith when the Company issues a written notice to the Customer confirming such completion or if the Company is available to perform the Services but is prevented from doing so by reason of:
- (a) the lack of relevant assistance from the Customer (such as lack of availability of test components or parts from the Customer); and/or
- (b) the condition of the installation site and/or the facilities or the services available therein at the time of agreed provision of the Services.

7 Price

- 7.1 Unless otherwise agreed by the Company in writing the price for the Goods or Services shall be the price set out in the Company's price list published on the date of delivery or deemed delivery of the Goods, or completion of performance of the Services.
- 7.2 Unless agreed otherwise the price for the Goods shall be exclusive of any value added tax or other similar taxes or levies and all costs or charges in relation to loading, unloading, carriage and insurance all of which amounts the Customer will pay in addition when it is due to pay for the Goods.

8 Payment

- 8.1 Payment of the price for the Goods and/or Services is due 30 days after the earlier of the delivery of Goods or provision of Services, or date of invoice.
- 8.2 Time for payment shall be of the essence.
- 8.3 No payment shall be deemed to have been received until the Company has received cleared funds.
- 8.4 All payments payable to the Company under the Contract shall become due immediately upon termination of this Contract despite any other provision.
- 8.5 The Customer shall make all payments due under the Contract without any deduction whether by way of set-off, counterclaim, discount, abatement or otherwise unless the Customer has a valid court order requiring an amount equal to such deduction to be paid by the Company to the Customer.
- 8.6 If payments received from the Customer are not stated to refer to a particular invoice, the Company may appropriate such payment to any outstanding invoice addressed to the Customer from the Company.
- 8.7 The Company may withdraw any credit facility granted by it to the Customer at its sole discretion at any time.
- 8.8 If any sum due from the Customer to the Company under the Contract or any other contract is not paid on or before the due date for payment then all sums then owing by the Customer to the Company shall become due and payable immediately and, without prejudice to any other right or remedy available to the Company, the Company shall be entitled to:
- (a) cancel or suspend its performance of the Contract or any order including suspending deliveries of the Goods and suspending delivery of any other goods to the Customer and suspending provision of the Services until arrangements as to payment or credit have been established which are satisfactory to the Company;
- (b) appropriate any payment made by the Customer to such of the Goods or such of the Services (or any goods or services supplied under any other contract between the Customer and the Company) or as the Company may think fit;
- (c) require the Customer to pay for Goods prior to their despatch or collection from the Company's premises;
- (d) suspend performance of Services remaining to be carried out; and
- (e) charge the Customer;
- (f) interest calculated on a daily basis on all overdue amounts (both before and after judgment) until actual payment at the rate of eight per cent (8%) per annum above the base lending rate of Barclays Bank Plc prevailing from time to time until payment is made in full;
- (g) the cost of obtaining judgment or payment to include all reasonable professional costs (including legal fees) and other costs of issuing proceedings or otherwise pursuing a debt recovery procedure.

9	Quality	
9.1		If the Customer establishes to the Company's reasonable satisfaction that there is a defect in the materials or workmanship of the Goods manufactured or there is some other failure by the Company in relation to the conformity of the Goods with the Contract or the Services have not been performed with reasonable care and skill then the Company shall at its option and within a reasonable time at its sole discretion either: (a) repair or make good such defect or failure in such Goods or re-perform such Services free of charge to the Customer (including all costs of transportation of any Goods or materials to and from the Customer for that purpose); (b) replace such Goods with Goods which are in all respects in accordance with the Contract; or (c) issue a credit note to the Customer in respect of the whole or part of the purchase price of such Goods or Services as appropriate having taken back such Goods or materials relating to such Services subject in every case to the remaining provisions of this Condition 9 provided that the liability of the Company under this Condition 9 shall in no event exceed the purchase price of such Goods or Services and performance of anyone of the above options shall constitute an absolute discharge of the Company's liability under this warranty.
9.2		Condition 9.1 shall not apply unless the Customer: (a) notifies the Company in writing of the alleged defect within 7 days of the time when the Customer discovers or ought to have discovered the defect and in any event within 12 months of the delivery of the Goods or 3 months of performance of Services to the Customer or such other periods as agreed by the Company in writing; and (b) affords the Company a reasonable opportunity to inspect the relevant Goods or the location at which the Services were performed and, if so requested by the Company and where it is reasonable to do so, promptly returns to the Company or such other person nominated by the Company a sample of the Goods or materials relating to the Services within 14 days, carriage paid by the Customer, for inspection, examination and testing and/or otherwise permit the Company to have access to the Goods or such materials at the Customer's premises or other location where they may be or the Services were performed for such purposes.
9.3		If the Company elects to replace the Goods or re-perform the Services the Company shall deliver the replacement Goods to or re-perform the Services for the Customer at the Company's own expense at the address to which the defective Goods were delivered and the title to the defective Goods which are being replaced shall (if it has vested in the Customer) re-vest in the Company and the Customer shall make any arrangements as may be necessary to deliver up to the Company the defective Goods which are being replaced or materials relating to the previously performed Services to the Company.
9.4		The Company shall be under no liability under the warranty at Condition 9.1 above: (a) in respect of any defect arising from fair wear and tear, wilful damage, negligence, abnormal working conditions, failure to follow the Company's instructions (whether oral or in writing), failure to follow the Company's recommended maintenance programme, misuse or alteration or repair of the Goods without the Company's approval; (b) if the total price for the Goods or Services has not been paid by the due date for payment; (c) for any parts, materials or components manufactured by the Company, in respect of which the Customer shall only be entitled to the benefit of any such warranty or guarantee as is given by the manufacturer to the Company to the extent to which it is assignable; (d) in respect of any components or type of wear specifically excluded by the Company by notice in writing; or (e) if the Goods were not correctly installed in accordance with the Company's instructions, or were not installed by an installer approved by the Company.
9.5		The terms of Condition 9 are subject to any amendment or superseding warranty made by notice in writing from the Company to the Customer.
10	Limitation of Liability	
10.1		Subject to Condition 9, the following provisions set out the entire liability of the Company (including any liability for the acts or omissions of its employees, agents and sub-contractors) to the Customer in respect of: (a) any breach of these Conditions or the Contract; and (b) any representation, statement or tortious act or omission including negligence arising under or in connection with the Contract.
10.2		All warranties, conditions and other terms implied by statute or common law (save for the conditions implied by, in relation to Goods, section 12 of the Sale of Goods Act 1979 and, in relation to Services, Section 2 of the Supply of Goods and Services Act 1982) are, to the fullest extent permitted by law, excluded from the Contract.
10.3		Nothing in these Conditions excludes or limits the liability of the Company for death or personal injury caused by the Company's negligence, or fraudulent misrepresentation (save that in respect of any fraudulent misrepresentation, the Customer's remedy shall be limited to damages).
THE CUSTOMER'S ATTENTION IS IN PARTICULAR DRAWN TO THE PROVISIONS OF CONDITION 10.4		
10.4		Subject to Conditions 10.2 and 10.3: (a) the Company's total liability in contract, tort (including negligence or breach of statutory duty), misrepresentation or otherwise, arising in connection with the performance or contemplated performance of this Contract shall be limited to 120% of the price of the Goods/Services in respect of which the Customer suffered or incurred such loss or damage; and (b) the Company shall not be liable to the Customer for any loss of profit or other economic loss (direct or indirect), indirect or consequential loss or damage, costs, expenses or other claims for consequential compensation whatsoever (howsoever caused) or loss or damage (contractual, tortious, breach of statutory duty or otherwise) which arise out of or in connection with the Contract, or for any liability incurred by the Customer to any other person for any economic loss, claim for damages or awards howsoever arising from the Goods, Services or otherwise.
10.5		The price of the Goods/Services has been calculated on the basis that the Company will exclude or limit its liability as set out in the Contract and the Customer by placing an order agrees and warrants that the Customer shall insure against or bear itself any loss for which the Company has excluded or limited its liability in the Contract and the Company shall have no further liability to the Customer.
11	Safety	
11.1		The Customer shall comply at all times with the written instructions and all written guidelines issued from time to time attached to the Goods concerning their storage, application, installation, repair, maintenance and use and the Customer shall refer its employees and its customers to such instructions and guidelines. The Customer shall ensure that the Goods are only installed by those persons approved by the Company.
11.2		The Customer should satisfy itself that the persons responsible for the storage, application, installation, use, repair or maintenance of any Goods supplied by the Company have all the information required on health and safety and the Company shall not be liable to the Customer in any civil proceedings brought by the Customer against the Company in respect of a breach of the user Instructions or any health and safety regulations, orders or directions made pursuant to the Health & Safety at Work Act Etc. Act 1974 or any other directive regulation order or other instrument relating to health and safety where such exclusion of liability is permitted by law.
11.3		If the Company notifies the Customer in writing of any defect in the Goods previously delivered to the Company or Services previously performed at any time or any error or omission in the instructions for the use and/or assembly or installation of the Goods (whether or not any such defect, error or omission represents a breach of the warranty in Condition 6 or 9 or any other provision of the Contract) which exposes or may expose consumers to any risk of death, injury or damage to property, the Customer shall co-operate fully and promptly with any steps taken by the Company under Condition 11.4 below.
11.4		The Company may at its discretion recall any Goods already sold by the Company to its customers (where for a refund or credit or for replacement of the Goods which shall in each case be undertaken by the Company) and/or Issue any written or other notification to its customers about the manner of use or operation of any Goods already sold by the Customer to its customers and/or offer to reperform Services previously quoted.
11.5		The Customer, acknowledging the importance of this Condition 11, agrees that in addition to any other remedy available to the Company to irrevocably and unconditionally indemnify the Company and its employees, servants or agents on full and on demand and keep them indemnified from and against all claims, demands, actions, proceedings and all damages, losses, costs and expenses (including without limitation legal and other professional adviser's fees and all economic loss whether direct or indirect (including without limitation loss of profit, future revenue, reputation or goodwill and anticipated savings) which are made or brought against or incurred or suffered by any of them directly or indirectly and whether wholly or in part result from the Customer's breach of Conditions 11.2, 11.2 and 11.3 whether or not such losses or consequences of such breach were foreseeable at the time of creation of the Contract. This indemnity shall cover all consequential and indirect losses suffered by the Company and its employees, servants or agents and they shall have no duty to mitigate any such loss.
12	Subcontracting, Assignment and Third Party Rights	
12.1		The Customer shall not be entitled to assign, charge, subcontract or transfer the Contract or any part of it without the prior written consent of the Company.
12.2		The Company may assign, charge, subcontract or transfer the Contract or any part of it to any person.
12.3		A person who is not a party to the Contract (including without limitation any employee, officer, agent, representative or sub contractor of either party) shall not have any right to enforce any term of the Contract which expressly or by implication confers a benefit on that person without the express prior agreement in writing of the Company and the Customer.
13	Force Majeure	
		The Company reserves the right to defer the date of delivery or to cancel the Contract or reduce the volume of the Goods or Services ordered by the Customer (without liability to the Customer) if it is prevented from or delayed in the carrying on of its business and its obligations under the Contract due to circumstances beyond the reasonable control of the Company including, without limitation, acts of God, governmental actions, war or national emergency, riot, civil commotion, fire, explosion, flood, epidemic, lock-outs, strikes or other labour disputes (whether or not relating to either party's workforce), or restraints or delays affecting carriers or inability or delay in obtaining supplies of adequate or suitable materials ("Force Majeure") provided that, if the event of Force Majeure continues for a continuous period in excess of 3 months, the Customer shall be entitled to give notice in writing to the Company to terminate the Contract.
14	Breach of Contract or Insolvency	
14.1		If any of the following events occurs: (a) the Customer commits a material breach of any of its obligations under the Contract which is incapable of remedy or fails to remedy a breach, where it is capable of remedy, or persists in any breach of any of its obligations under the Contract after having been requested in writing by the Company to remedy or desist from such breach within a period of 14 days; (b) any distress execution or diligence is levied upon any of the Customer's goods or property and is not paid out within 7 days or it being levied; (c) the Customer (being a partnership) or the Customer's partner offers to make any arrangements with or for the benefit of the creditors of the Customer or the Customer's partner generally or there is presented in relation to the Customer or the Customer's partner a petition of bankruptcy; (d) the Customer (being a limited company) is deemed to be unable to pay its debts within the meaning of Section 123 of the Insolvency Act 1986 or the Customer calls a meeting for the purpose of passing a resolution to wind up its company, or such a resolution is passed or the Customer presents or has presented a petition to wind up or present or have presented a petition to appoint an administrator or have an administrative receiver or receiver appointed to the whole or any part of the Customer's business, undertaking, property or assets; (e) the Customer ceases, or threatens to cease, to carry on business; or (f) the Company reasonably believes that any of the events specified in Condition 14.1 (a) to (e) above is about to occur in relation to the Customer; then the Company may, as it thinks fit, (without prejudice to any other rights or remedies it may have against the Customer) immediately suspend further performance of the Contract or cancel any outstanding provision of the Services or delivery of the Goods or stop any Goods in transit or by notice in writing to the Customer terminate the Contract without liability to the Company.
14.2		Notwithstanding any such termination or suspension in accordance with Conditions 13 or 14.1 above the Customer shall pay the Company at the contract rate for all Goods delivered or Services provided up to and including the date of suspension or termination and termination of any Contract for whatever reason shall not affect the rights or remedies of either party in respect of any antecedent breach or in respect of any such owing or to become owing to the other.
15	Notices	
15.1		All communications between the parties about this Contract must be in writing and delivered by hand or sent by pre-paid first class post or sent by facsimile transmission: (a) (in case of communications to the Company) to its registered office or such other address as shall be notified to the Customer by the Company in accordance with this Condition 15; or (b) (in the case of the communications to the Customer) to the registered office of the addressee (if it is a company) or (in any other case) to any address of the Customer set out in any document which forms part of this Contract or such other address as shall be notified to the Company by the Customer in writing.
15.2		Communications shall be deemed to have been received: (a) if sent by pre-paid first class post, 2 Working Days after posting (exclusive of the day of posting); (b) if delivered by hand, on the day of delivery or if that is not a Working Day, the first Working Day after delivery;
15.3		Communications addressed to the Company shall be marked for the attention of the Commercial Manager, subject to being able to show that the notice was sent to the correct telephone number.
16	General	
16.1		Any intellectual property rights (including, without limitation, patents, registered and unregistered designs, trade marks and service marks (registered or not) and copyright) created by the Company in the course of the performance of the Contract or otherwise in the manufacture of the Goods or the provision of the Services shall remain the Company's property. Nothing in the Contract shall be deemed to have given the Customer a licence or any other right to use any of the intellectual property rights of the Company.
16.2		Nothing in the Contract shall create, or be deemed to create a partnership or joint venture or relationship of employer and employee or principal and agent between the parties.
16.3		The rights and remedies of either party in respect of the Contract shall not be diminished, waived or extinguished by the granting of any indulgence, forbearance or extension of time granted by such party to the other nor by any failure of, or delay by the said party in ascertaining or exercising any such rights or remedies. The waiver by either party of any breach of the Contract shall not prevent the subsequent enforcement of that provision and shall not be deemed to be a waiver of any subsequent breach of that or any other provision.
16.4		If at any time anyone or more of the Conditions of the Contract (or any sub-Condition or paragraph or any part of one or more of these Conditions) is held to be or becomes void or otherwise unenforceable for any reason under any applicable law, the same shall be deemed omitted from the Contract and the validity and/or enforceability of the remaining provisions of the Contract shall not in any way be affected or impaired as a result of that omission.
16.5		The Contract sets out the entire agreement and understanding between the Customer and the Company in connection with the sale of the Goods and shall supersede and replace all documentation previously issued by the Company purporting to set out its terms and conditions of sale of the Goods.
16.6		The Contract shall be governed by and be construed in all respects in accordance with English law and the Customer and the Company both hereby irrevocably agree to submit to the exclusive jurisdiction of the English Courts.



For over a century, Webasto has continued to set new technological standards – in both the original equipment sector and the aftermarket. As one of the 100 biggest suppliers in the automotive industry worldwide, we develop and produce roof, convertible as well as heating, cooling and ventilation systems. Our products help provide a better atmosphere on the road, more comfort and security, as well as increased efficiency for cars, commercial and special vehicles, motor homes and boats. An outstanding network of production facilities and dealers guarantees high-quality products, installation standards and services worldwide.

Webasto Thermo & Comfort UK Limited
Webasto House, White Rose Way
Doncaster Carr
South Yorkshire DN4 5JH

Tel: 00 44 (0) 1302 322232
Email : info-uk@webasto.com

www.webasto.co.uk

